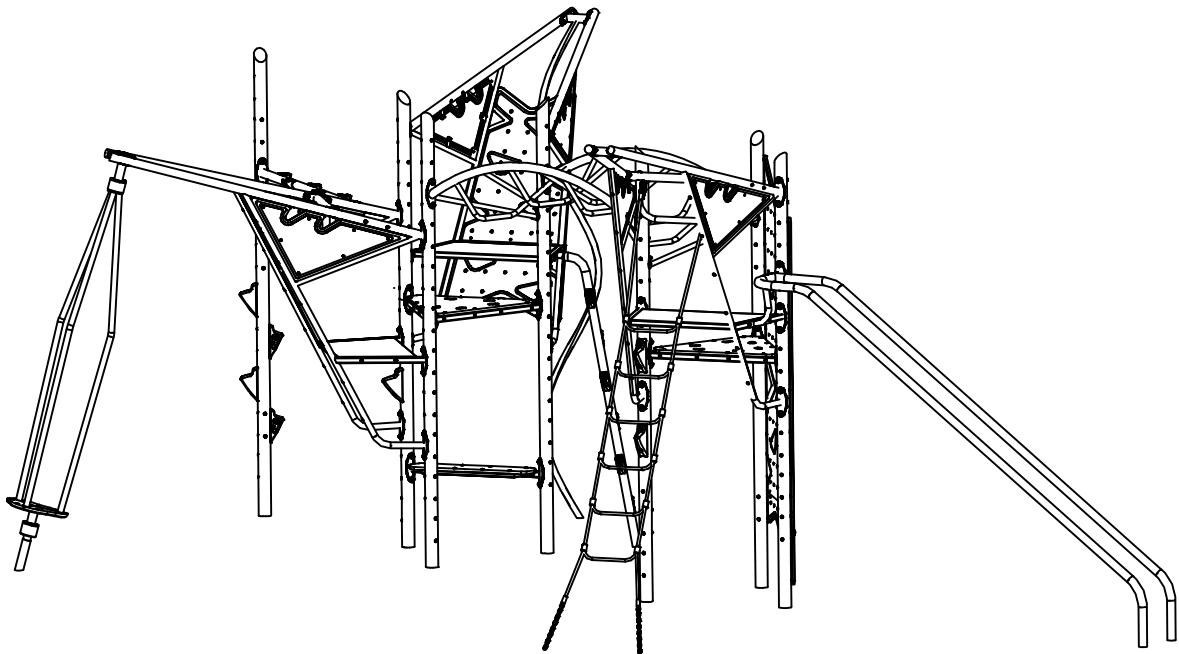
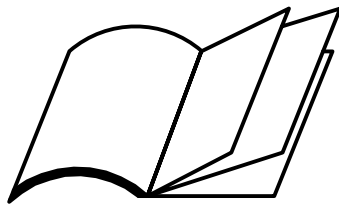


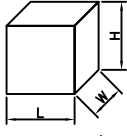
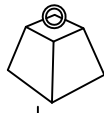
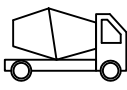
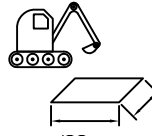
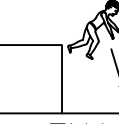

HAGS

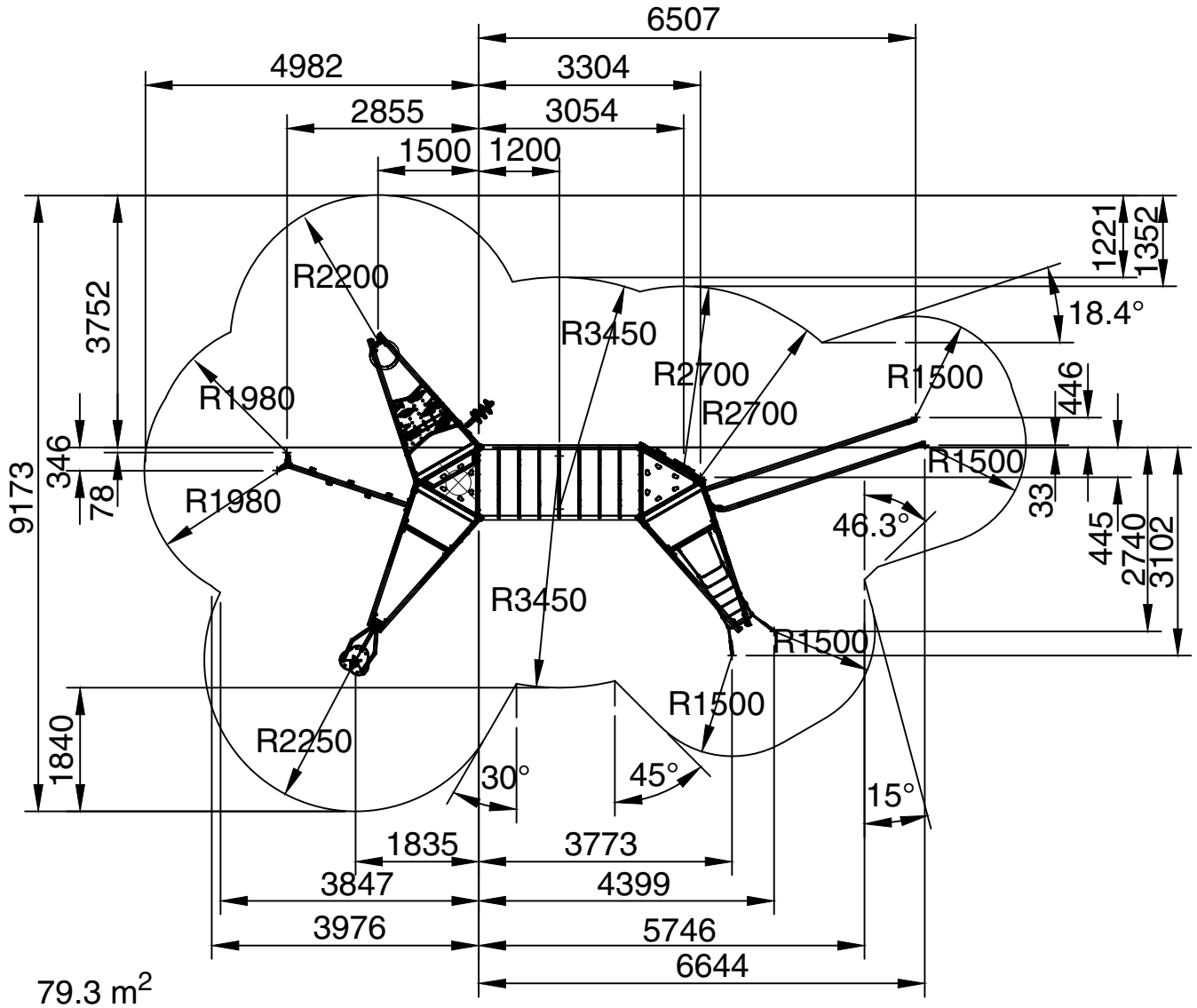
NEXUS ALTITUDE NXA-06B

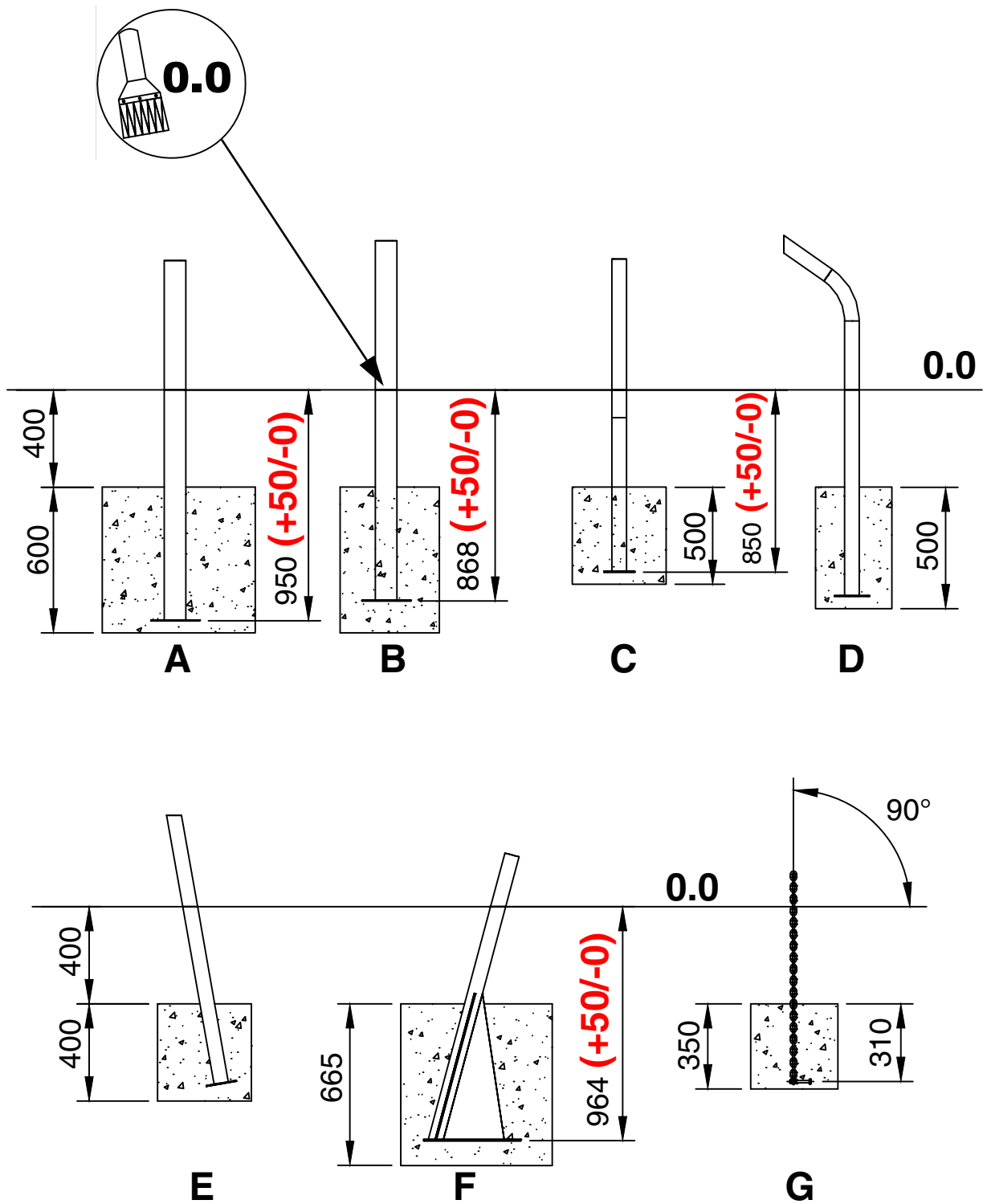


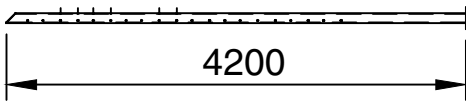
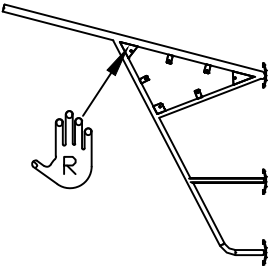
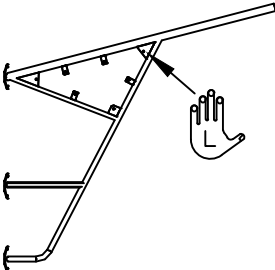
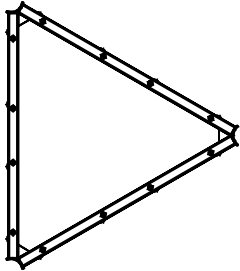
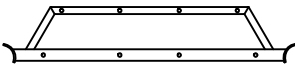
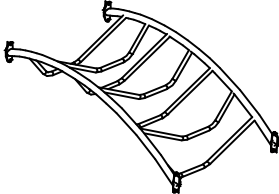
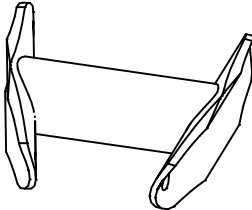


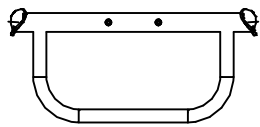
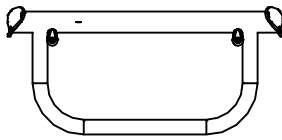
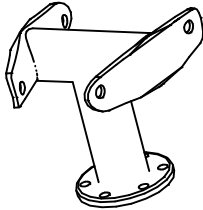
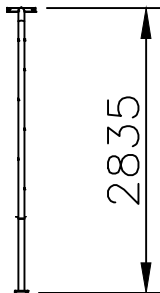
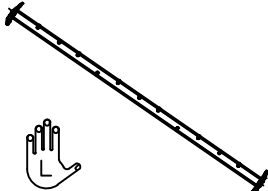
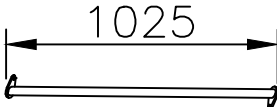
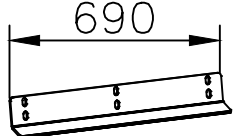
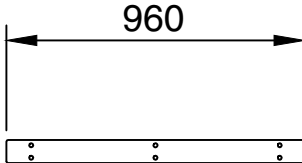
Section 1:

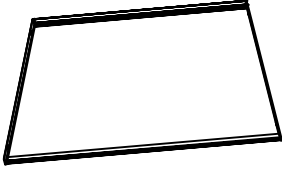
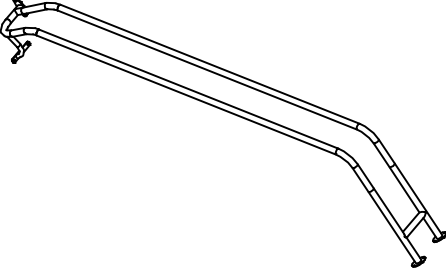
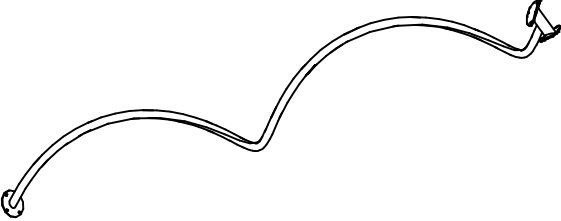
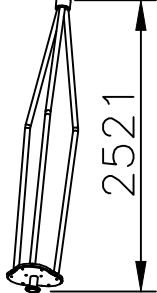
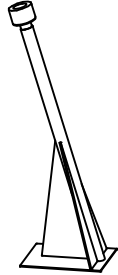
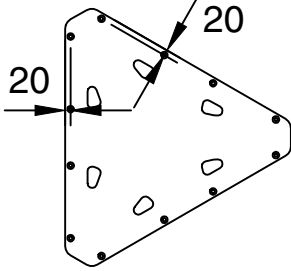
	 LxWxH (m)	 kg	 m ³	 m	 ≥EN1176	 x 3 = T
NXA-06B	9.64 X 5.11 X 3.57	999.0	3.22	14.5 X 10.5	3.0m	T = 36h

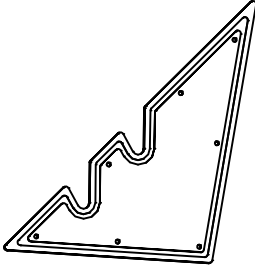
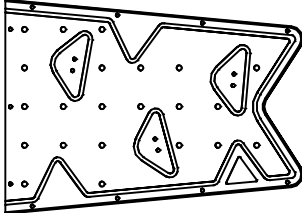
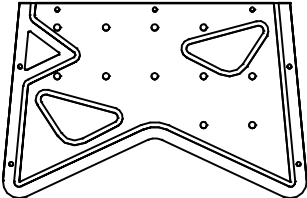
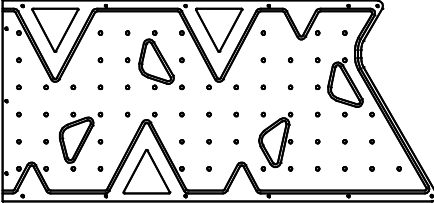
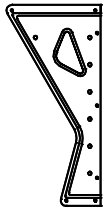
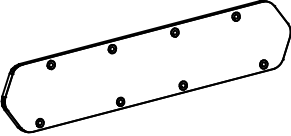
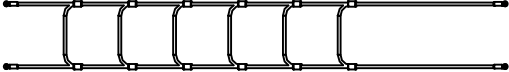


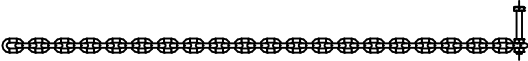
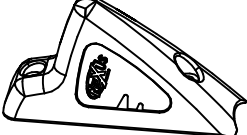
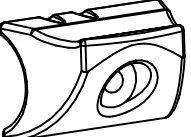
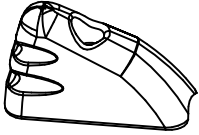
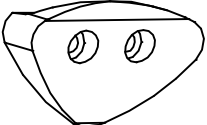
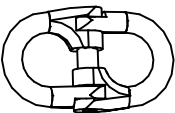


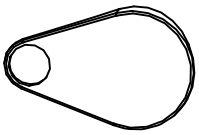
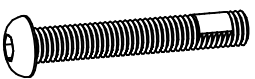


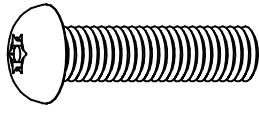
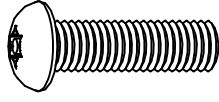
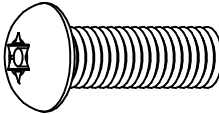
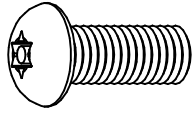
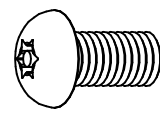
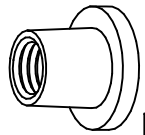

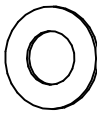

ITEM	REF	NXA-06B	QTY	kg
1	92003001		7	49.00
2	92003005		3	24.00
3	92003010		3	24.00
4	91010030		2	11.00
5	91020010		1	6.50
6	91030020		1	56.00
7	91070010		1	2.00

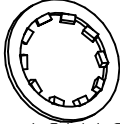
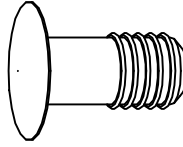
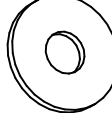
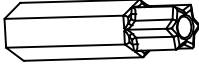
ITEM	REF	NXA-06B	QTY	kg
8	91070110		1	7.00
9	92003020		1	7.00
10	91070310		1	4.50
11	91050230		1	14.00
12	91061321		1	15.00
13	91050415		2	3.00
14	91070240		1	3.20
15	92003025		1	2.50

ITEM	REF	NXA-06B	QTY	kg
16	91070410		3	16.5
17	92004001		1	64.00
18	92004005		1	20.00
19	38007030		1	43.50
20	38007070		1	41.00
21	91010040		2	8.00

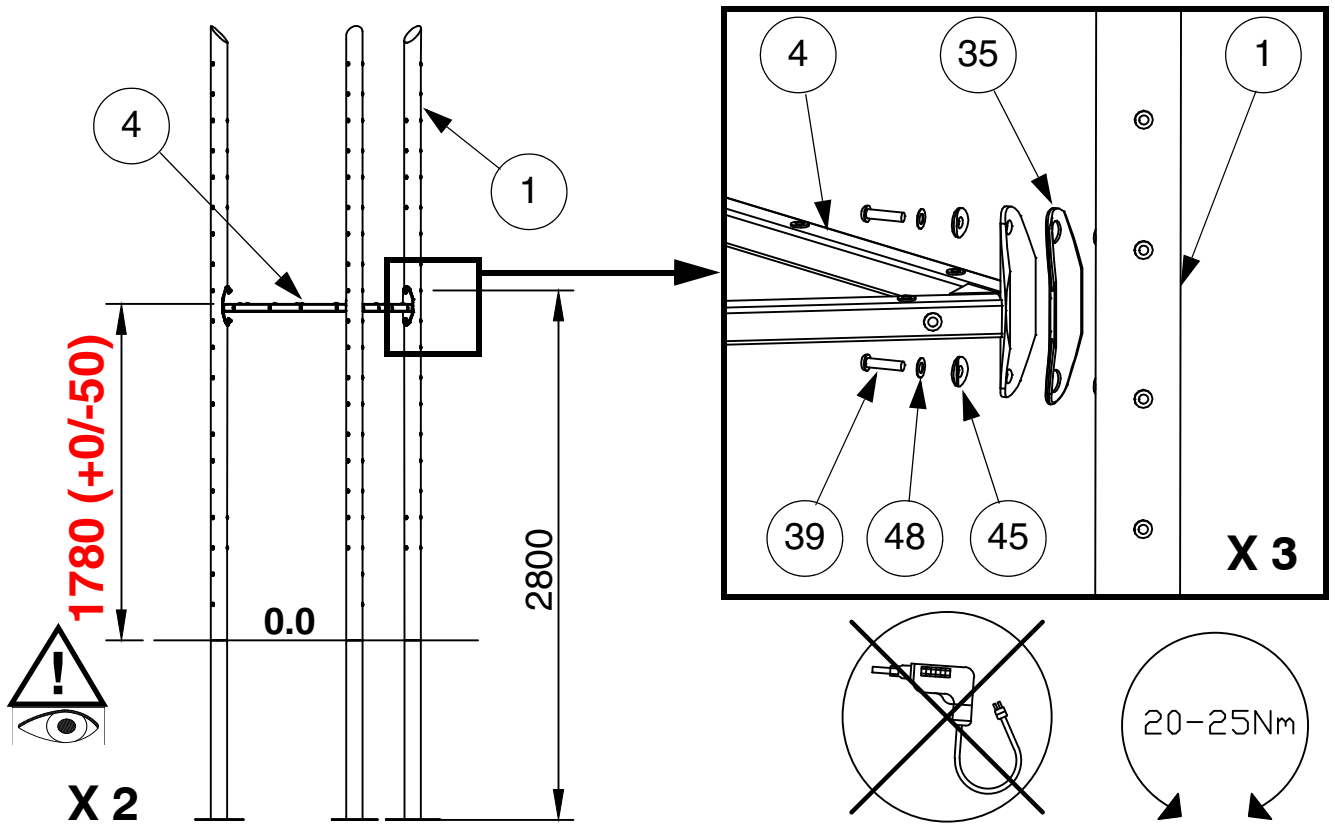
ITEM	REF	NXA-06B	QTY	kg
22	92002020		6	4.80
23	92002010		1	14.30
24	92002015		1	7.80
25	92002001		1	43.00
26	92002005		1	5.30
27	91020020		1	3.50
28	92006001		1	5.80

ITEM	REF	NXA-06B	QTY	kg
29	38008027		2	1.50
30	92004010		7	0.75
31	92004015		5	0.30
32	92004020		7	0.40
33	91070241		10	0.42
34	15715000		4	0.10
35	19023802		32	0.05
36	19023803		11	0.05
37	19025501		4	0.05
38	10121065	 M10 X 65	26	0.050

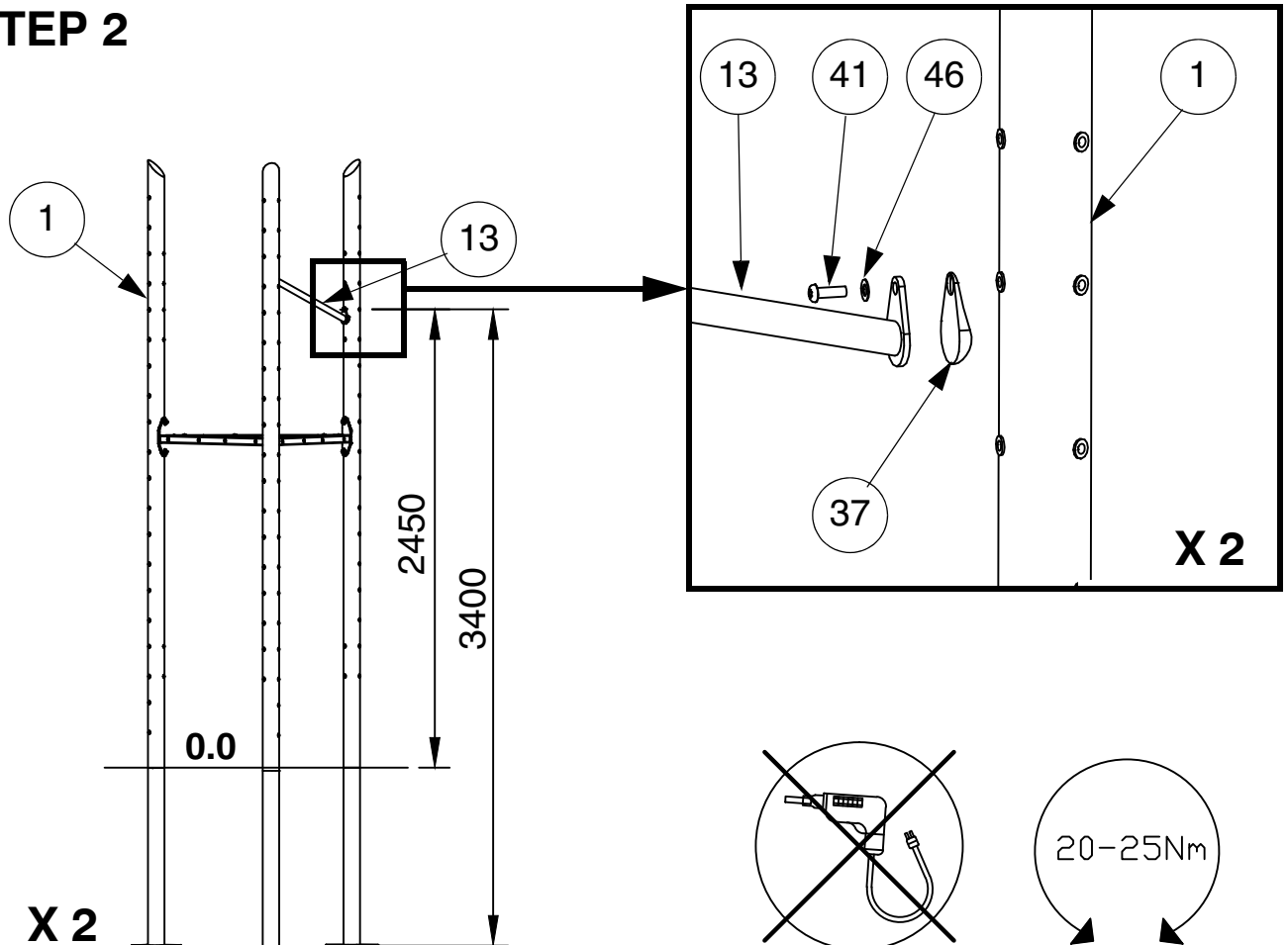
ITEM	REF	NXA-06B	QTY	kg
39	10121040	 M10 X 40	118	0.037
40	10121035	 M10 X 35	52	0.032
41	10121030	 M10 X 30	20	0.028
42	10121025	 M10 X 25	54	0.024
43	10121020	 M10 X 20	12	0.020
44	10931000	 M10	74	0.020
45	38001019	 M10 12X32X6.5	86	0.002
46	10291000	 M10 11X21X1	138	0.002
47	10301200	 M12 13X20X1	74	0.002

ITEM	REF	NXA-06B	QTY	kg
48	10301000	 M10 12X18X1	140	0.001
49	19024501		318	0.001
50	10309999	 M10 11X30X2.5	8	0.011
51	10121000	 T45 M10	3	-

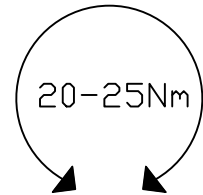
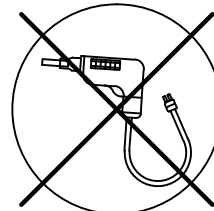
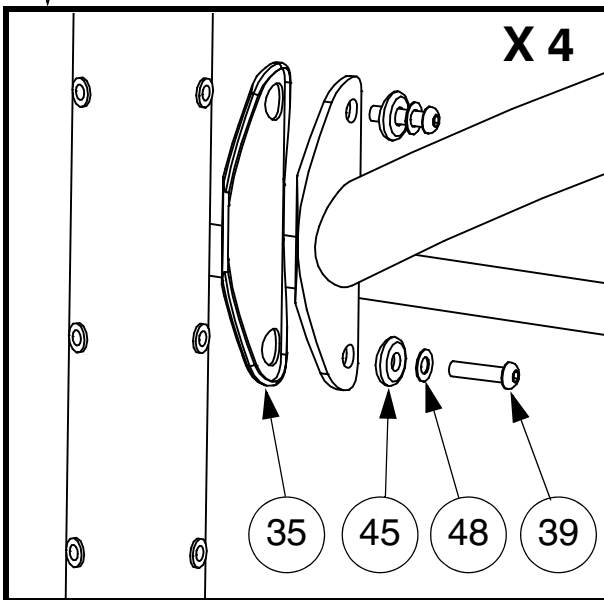
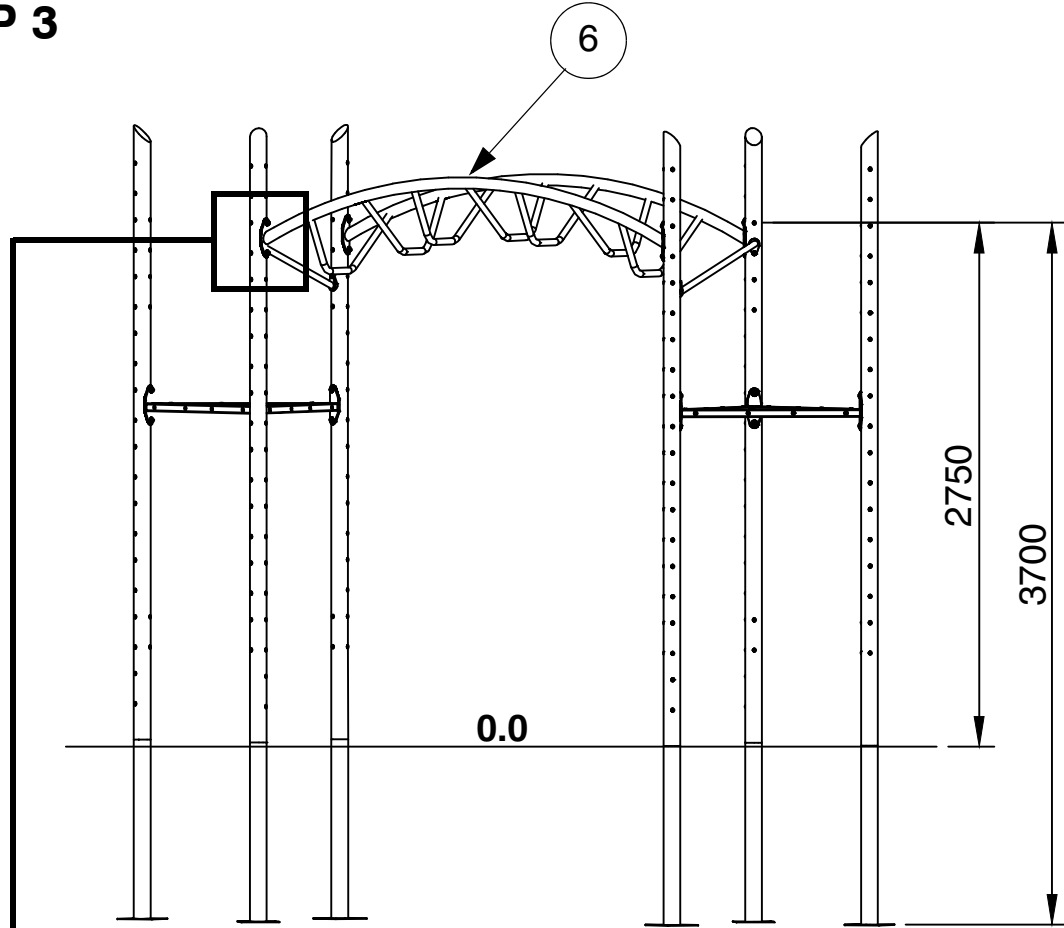
STEP 1



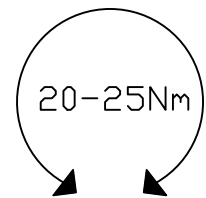
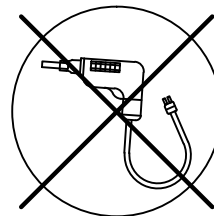
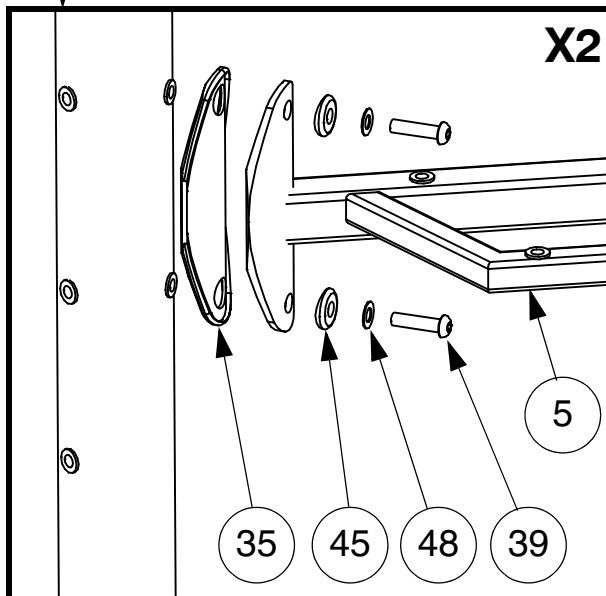
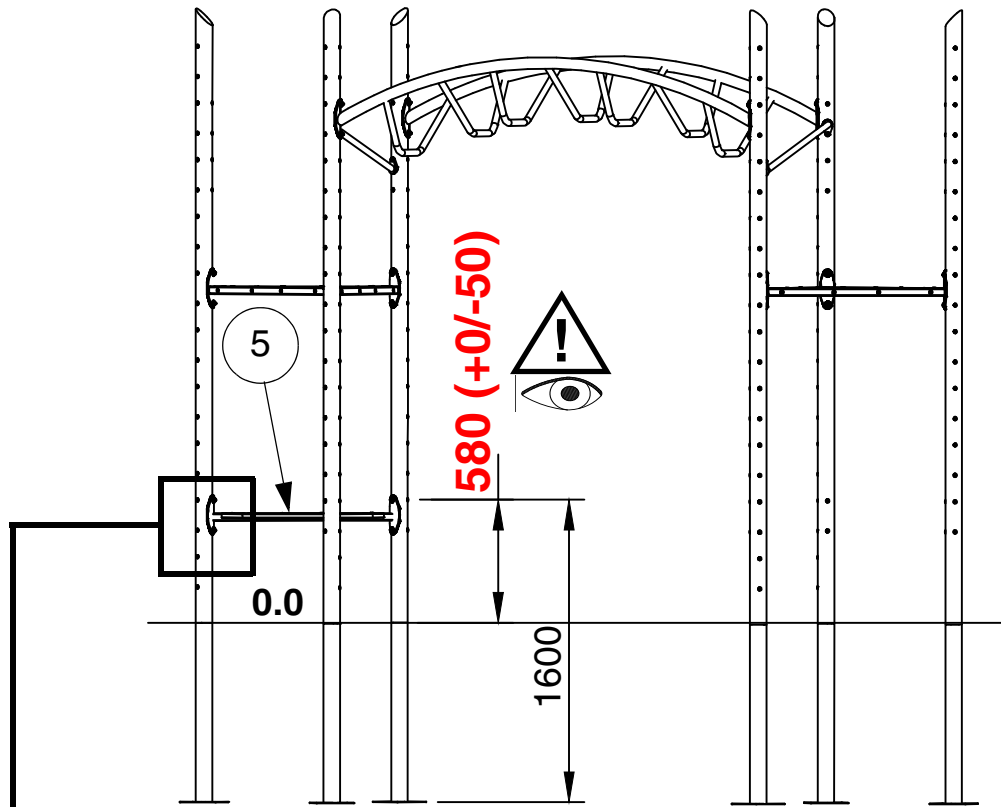
STEP 2



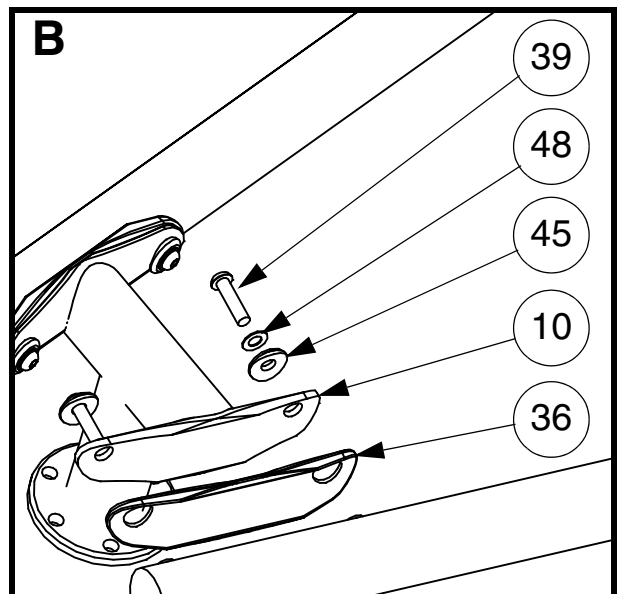
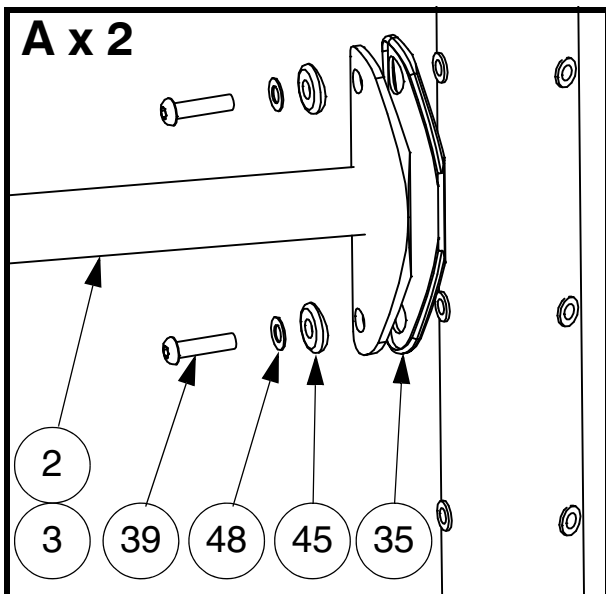
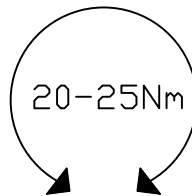
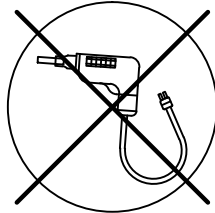
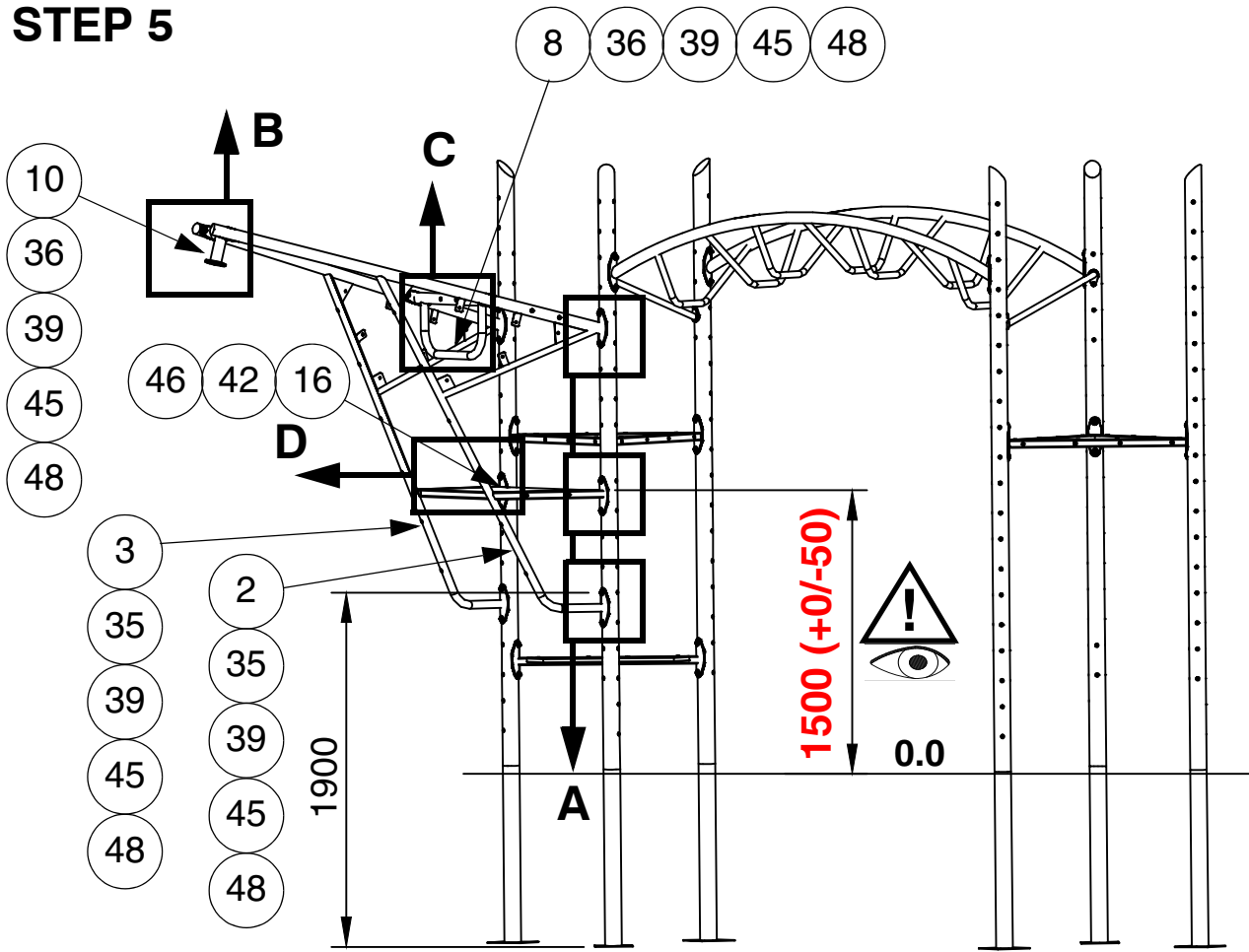
STEP 3

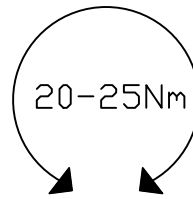
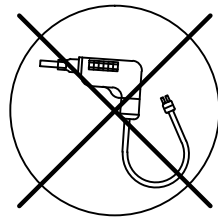
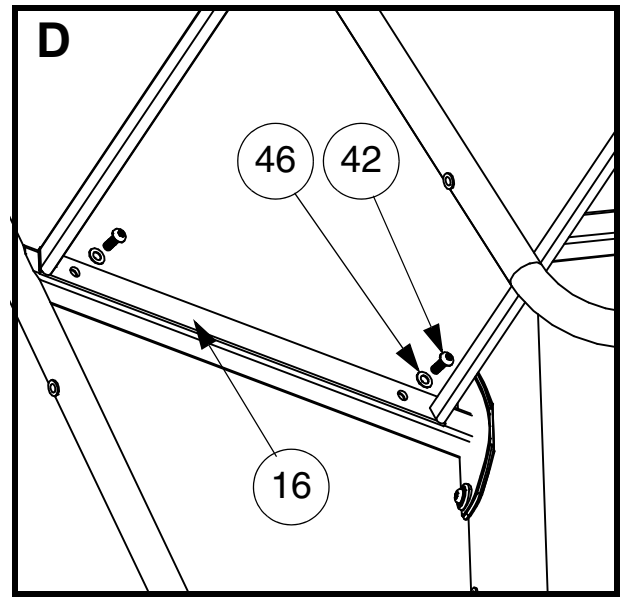
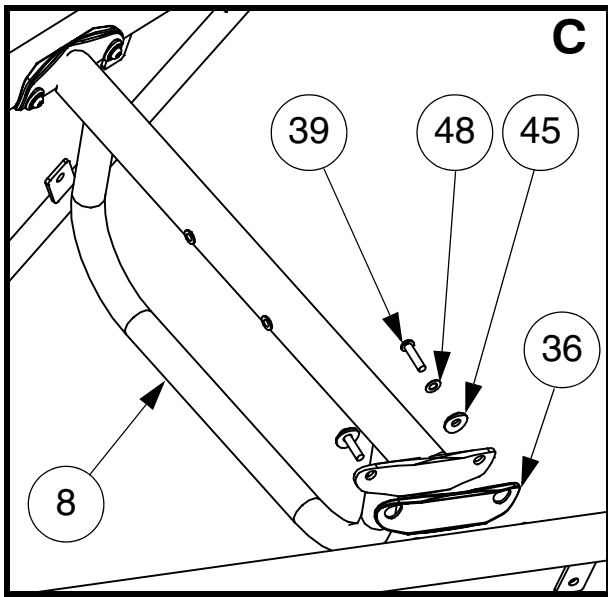


STEP 4

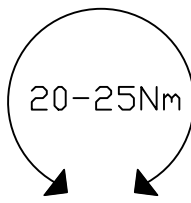
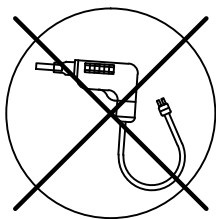
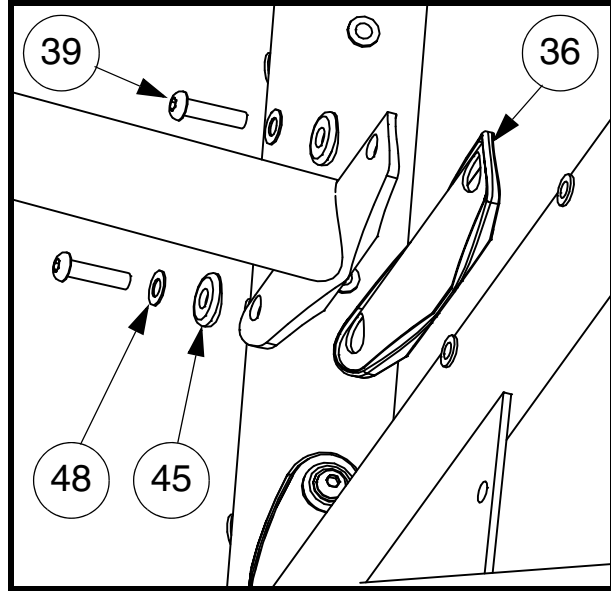
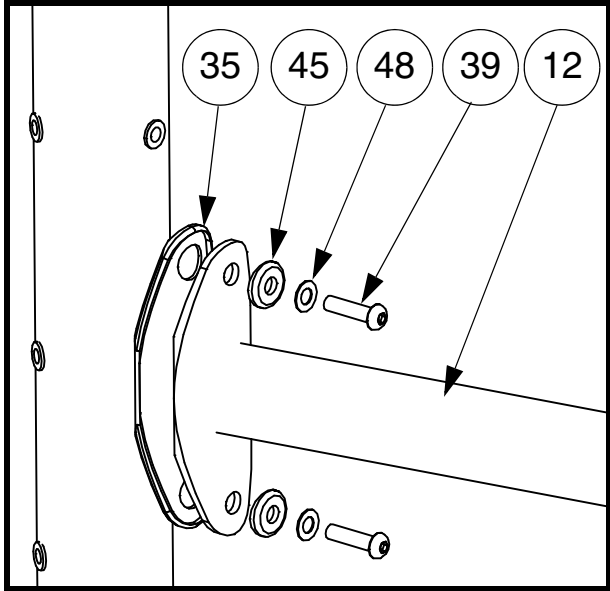
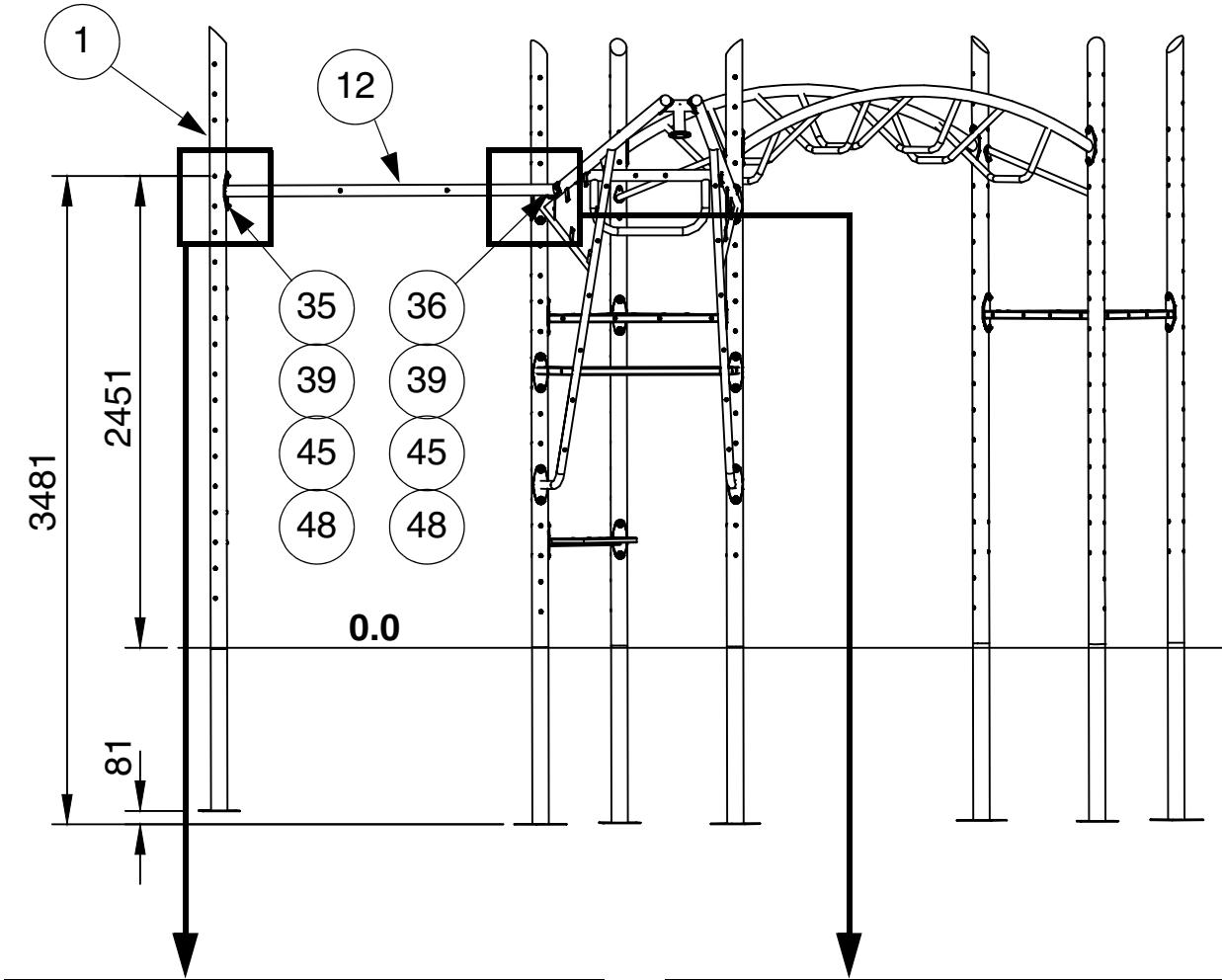


STEP 5

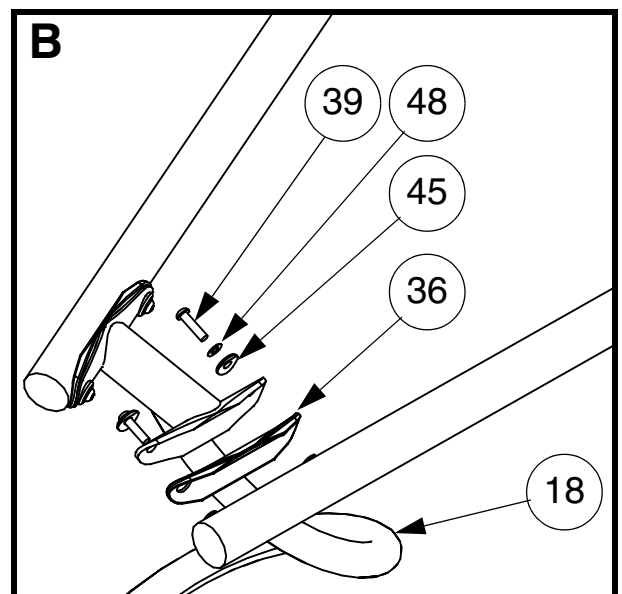
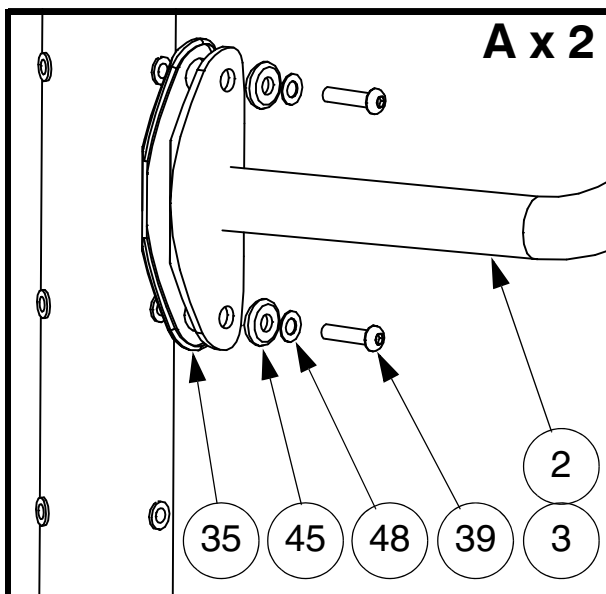
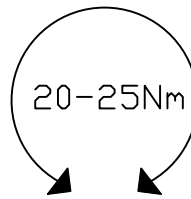
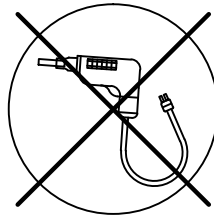
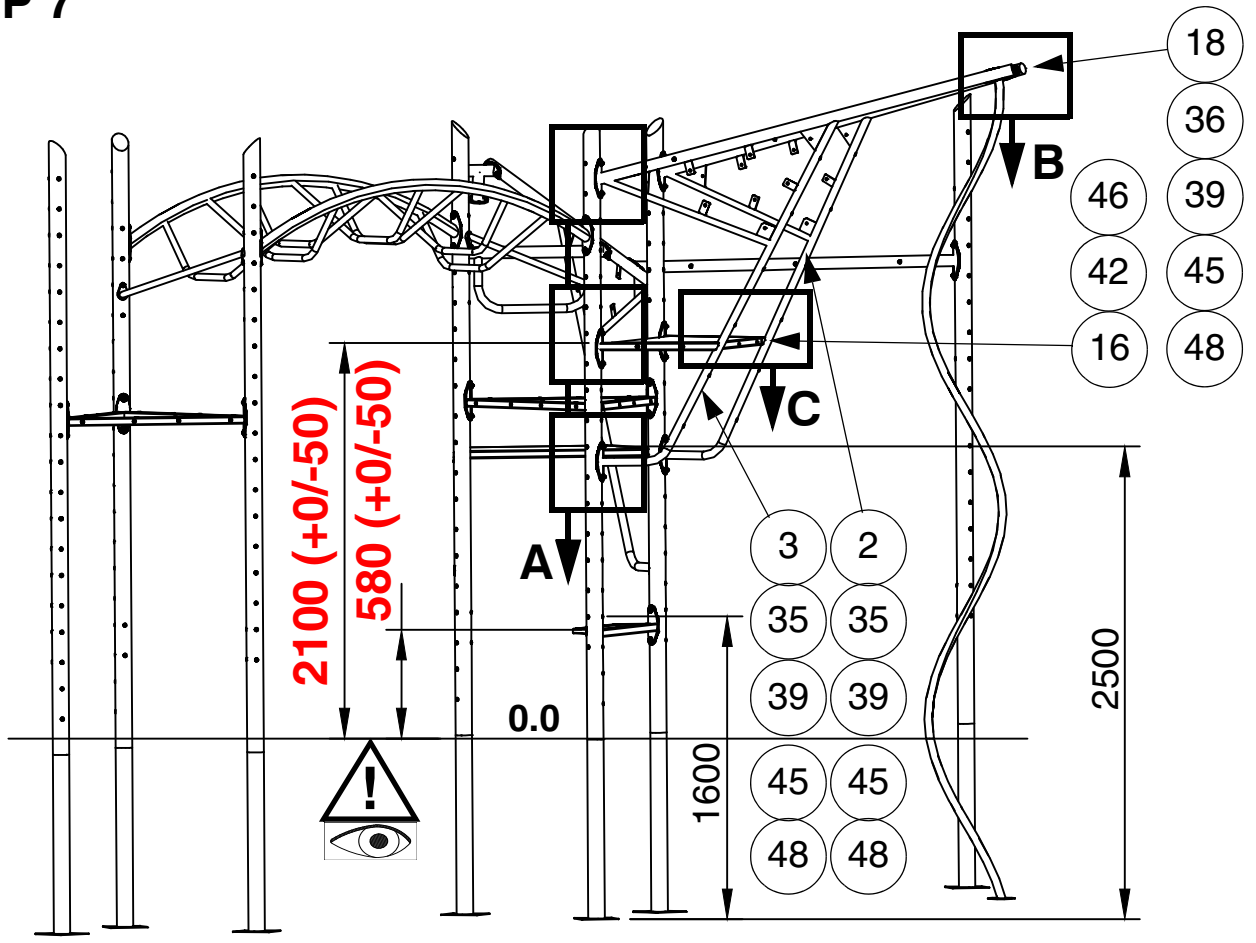


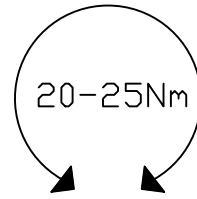
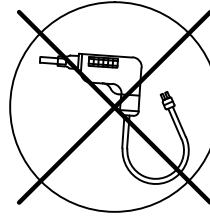
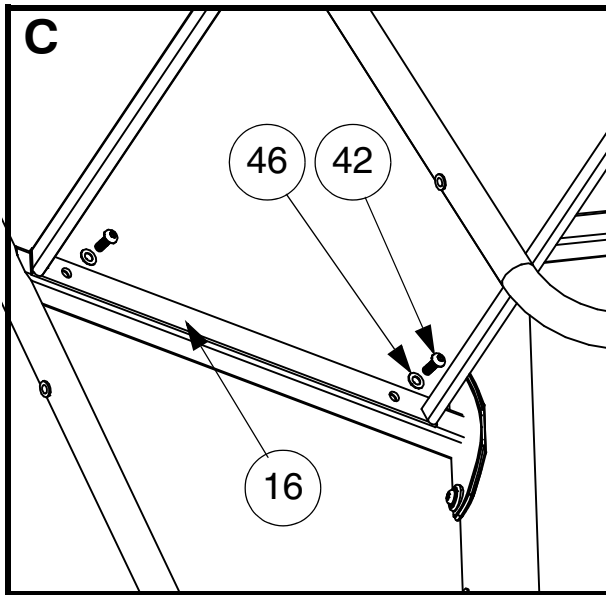


STEP 6

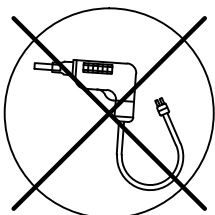
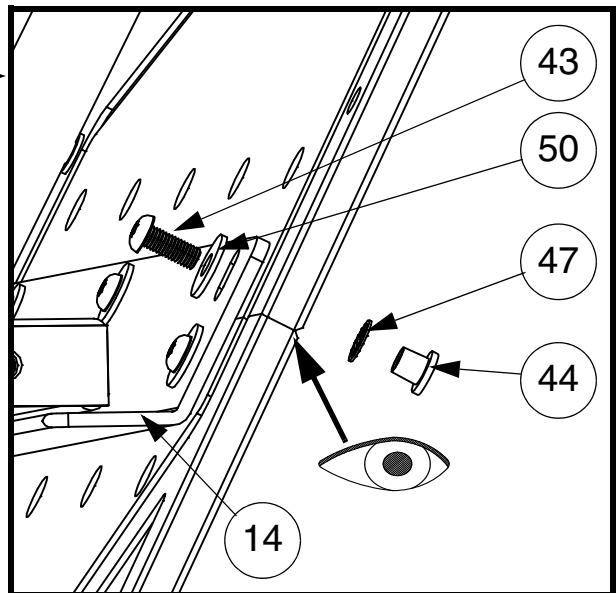
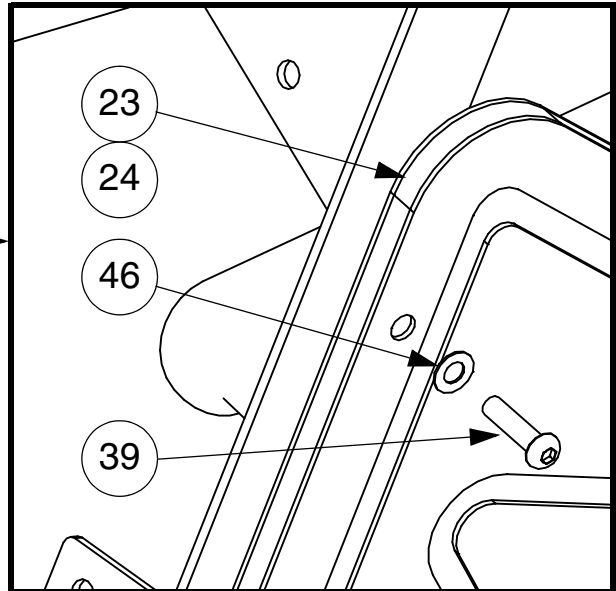
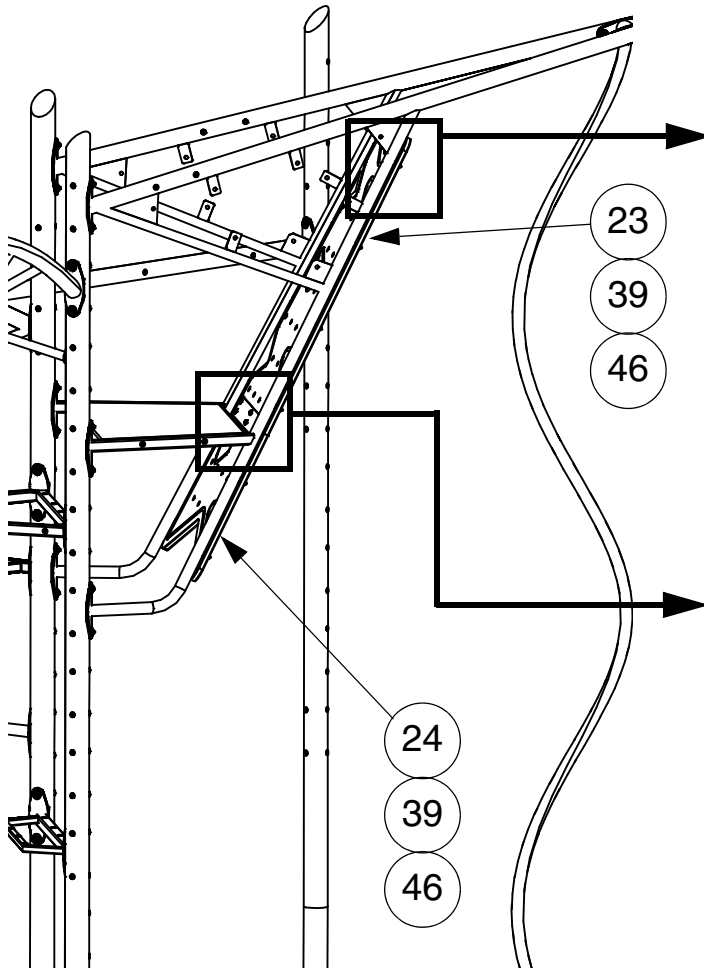


STEP 7

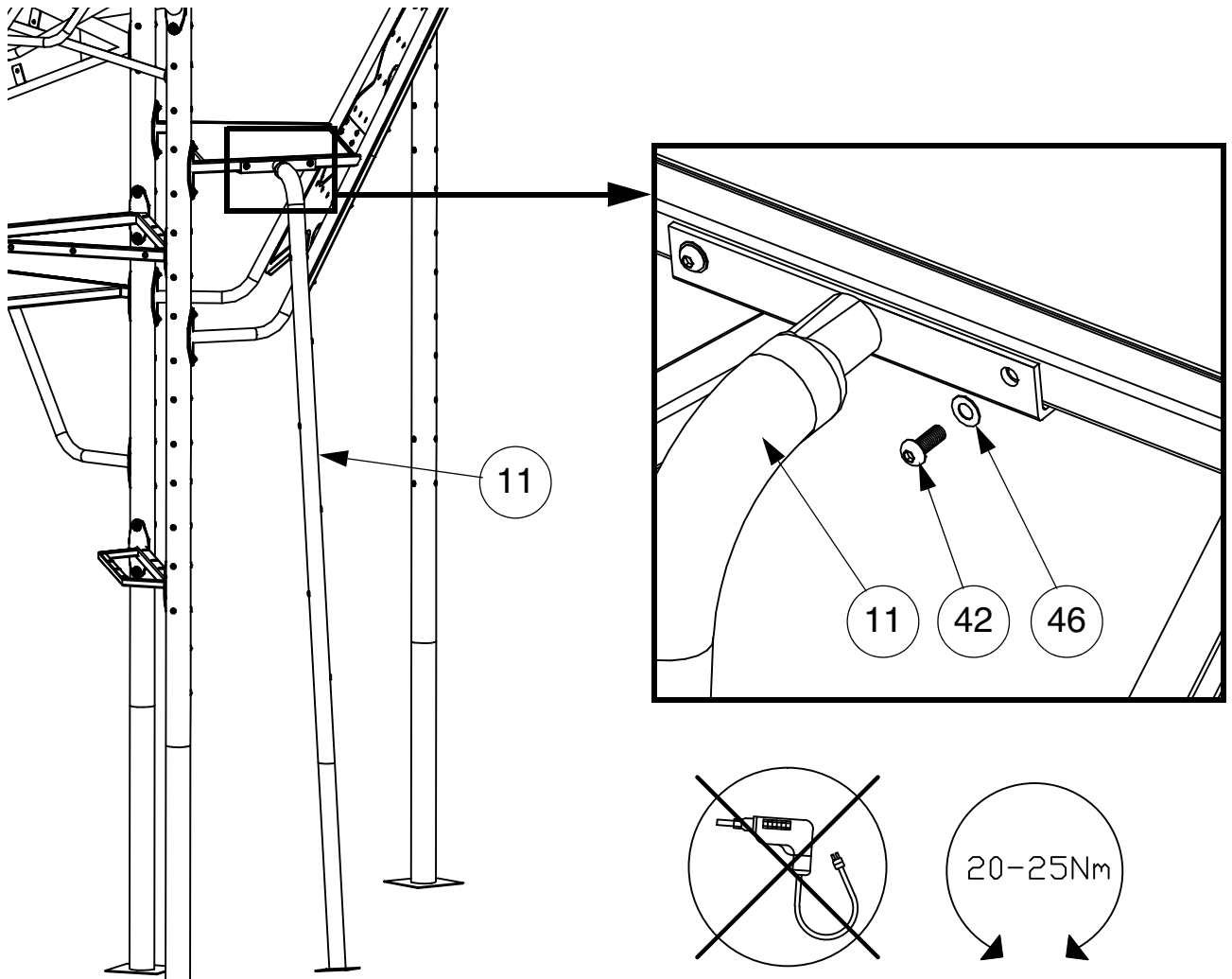




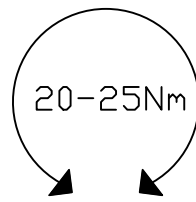
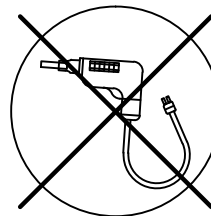
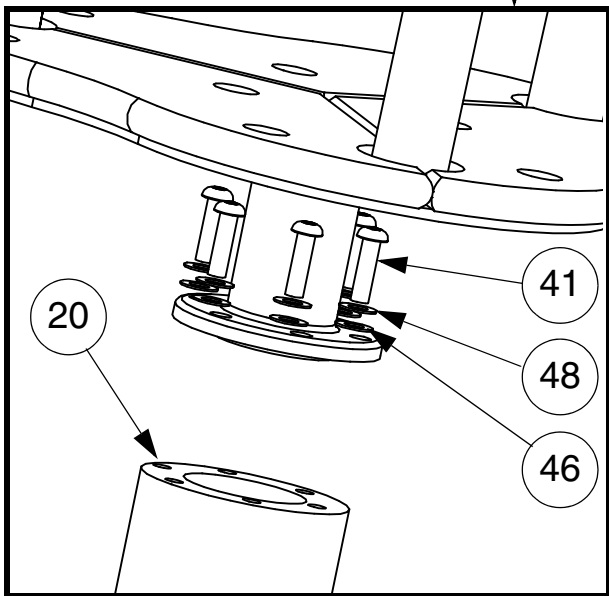
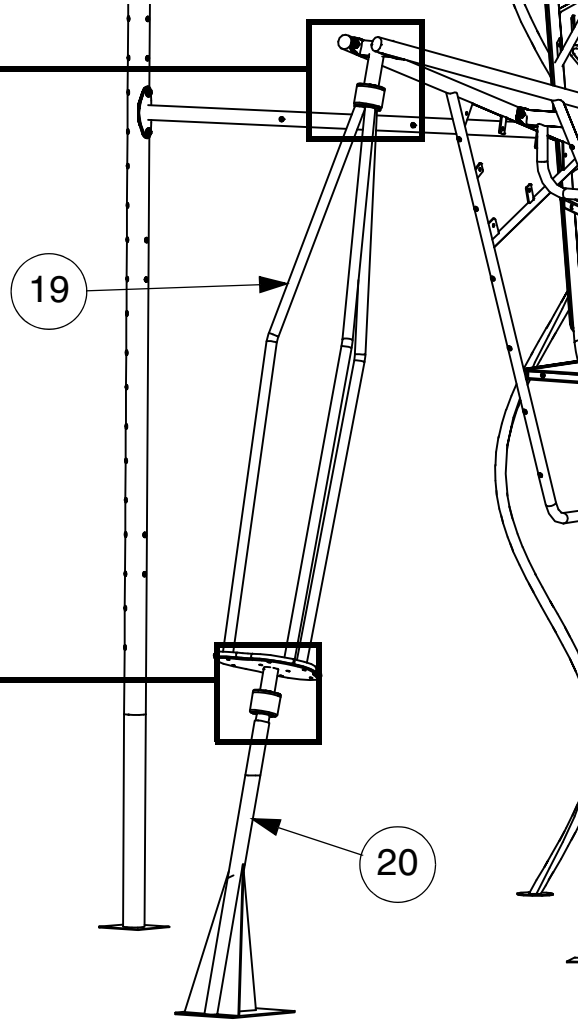
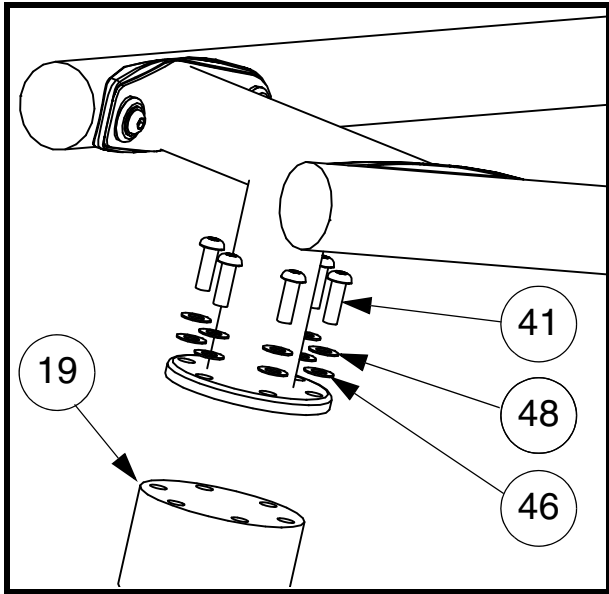
STEP 8



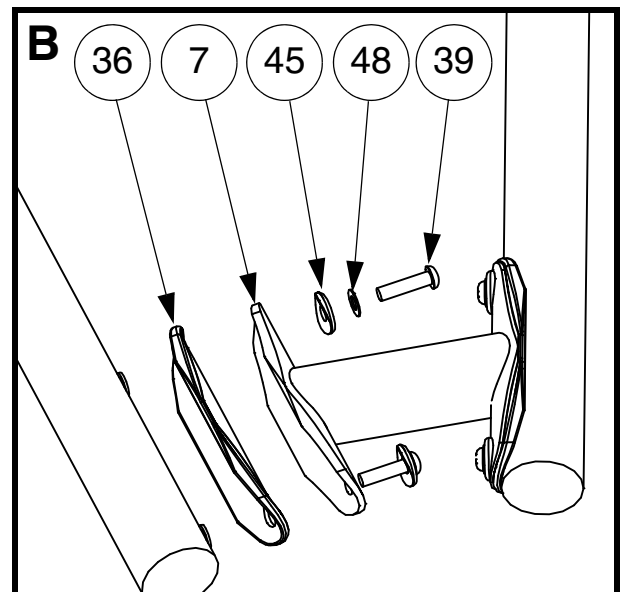
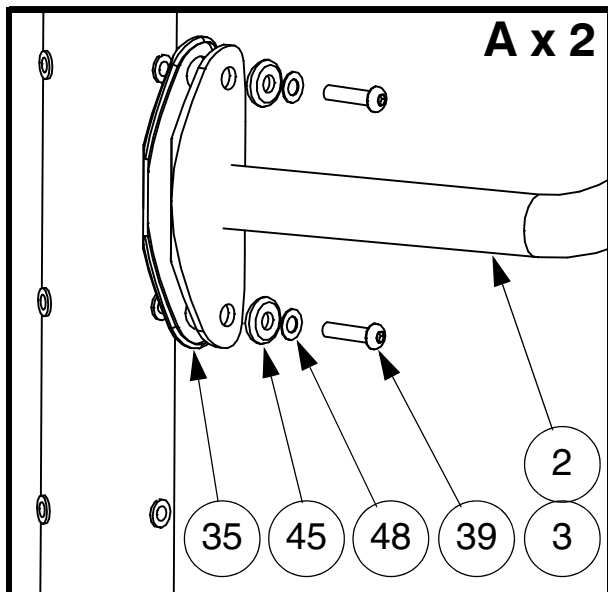
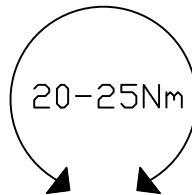
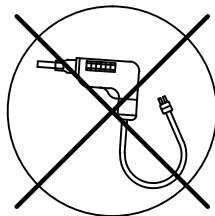
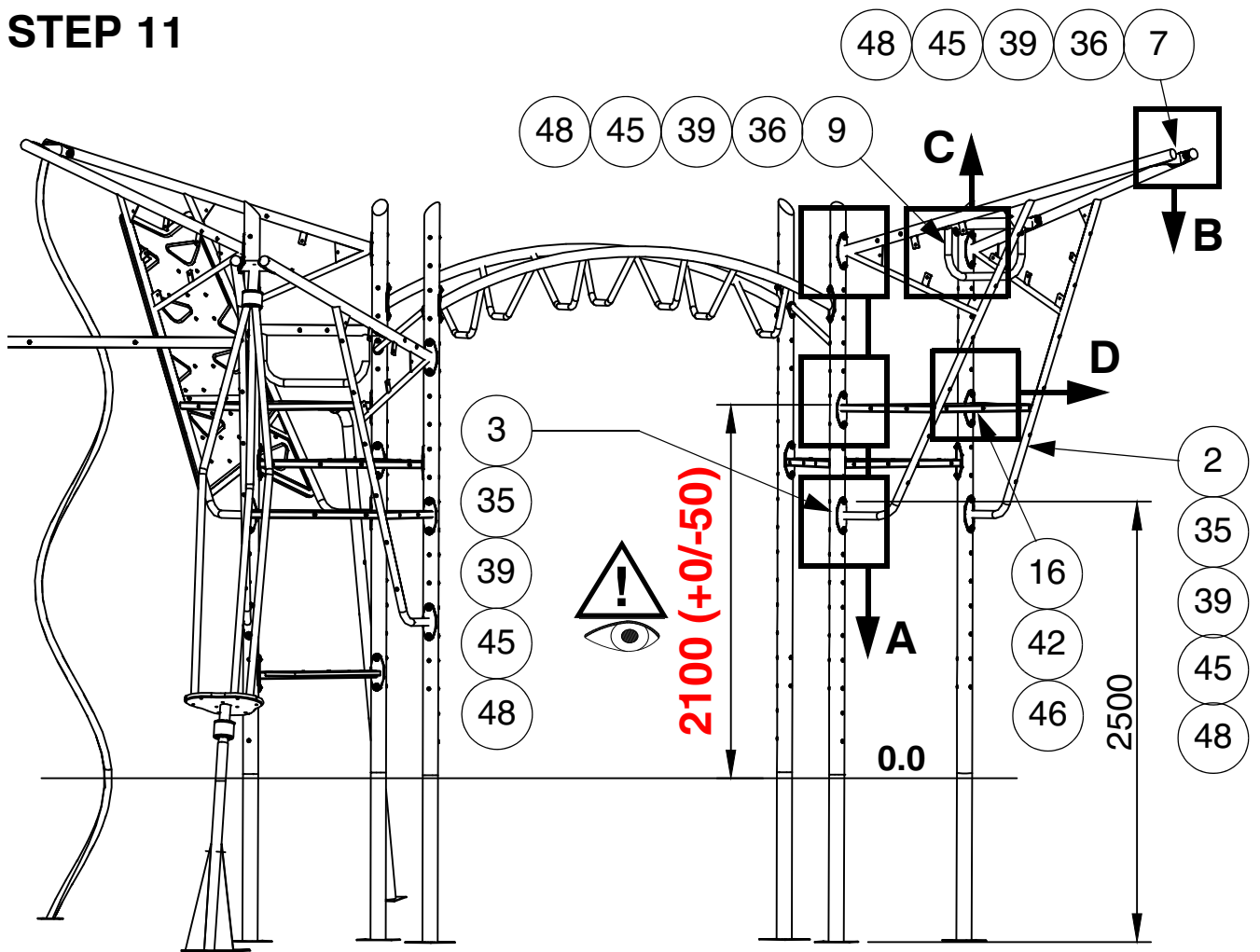
STEP 9

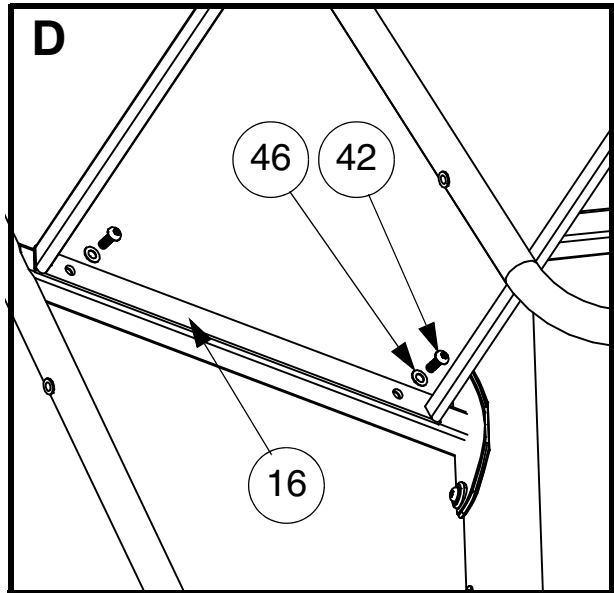
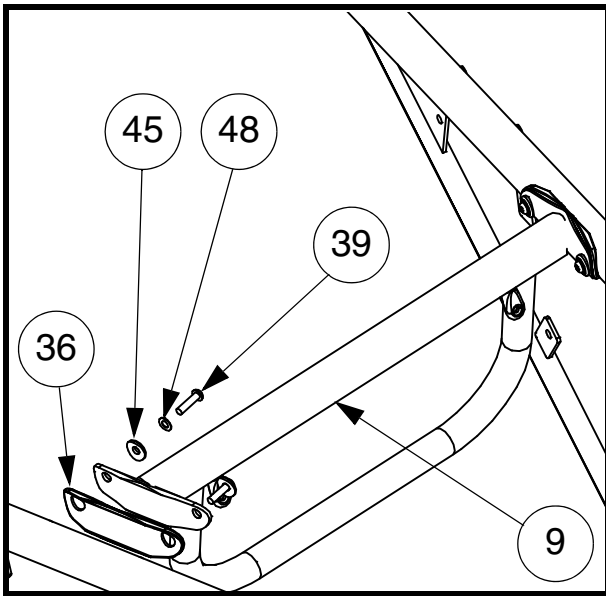


STEP 10

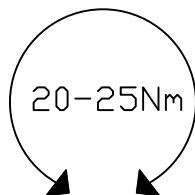
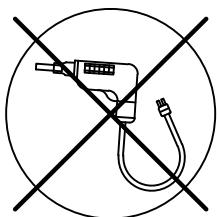
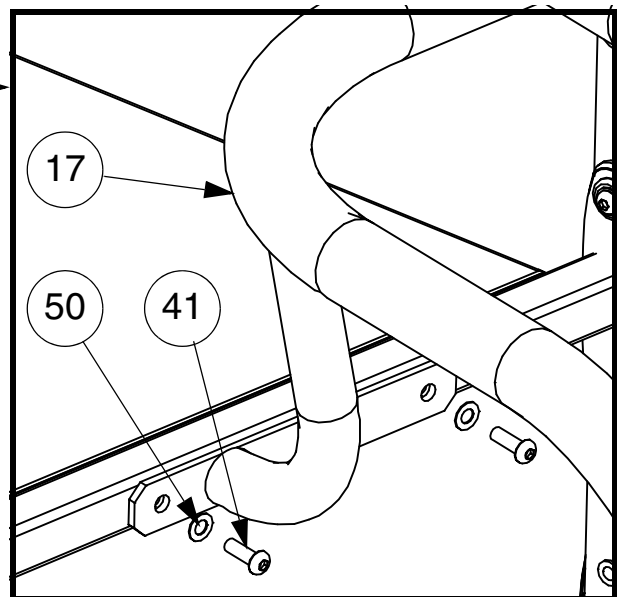
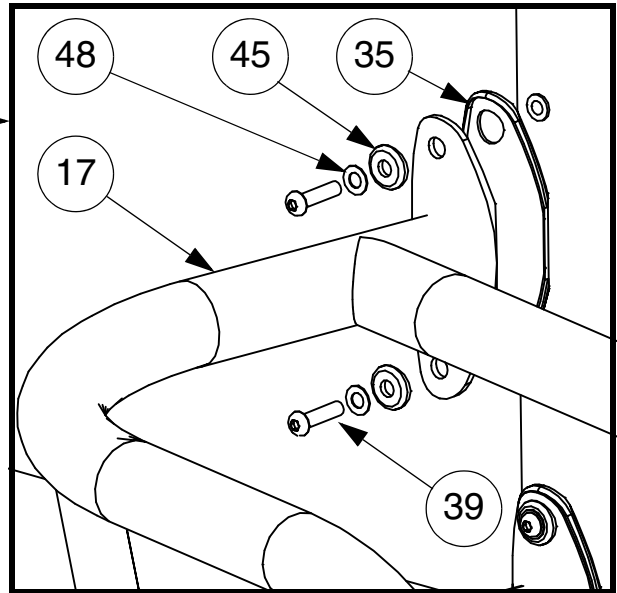
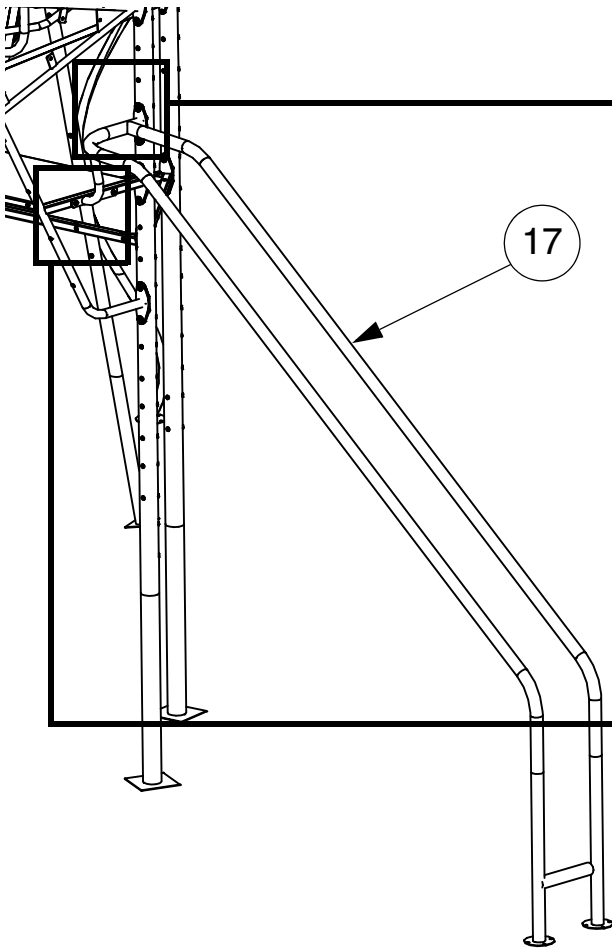


STEP 11

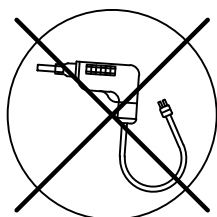
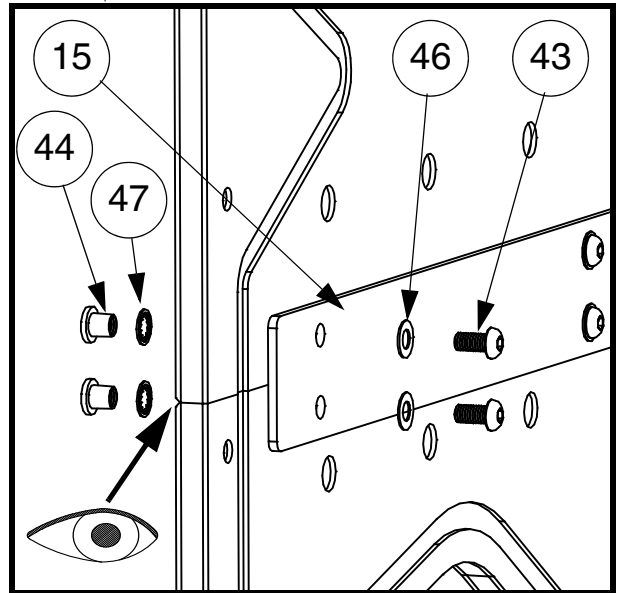
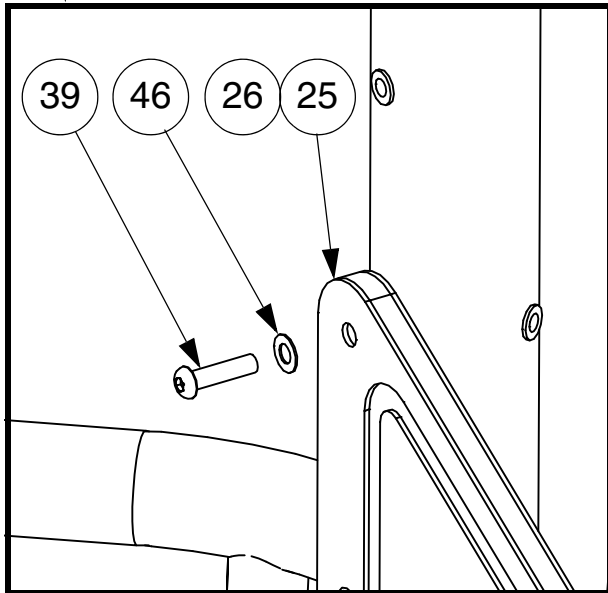
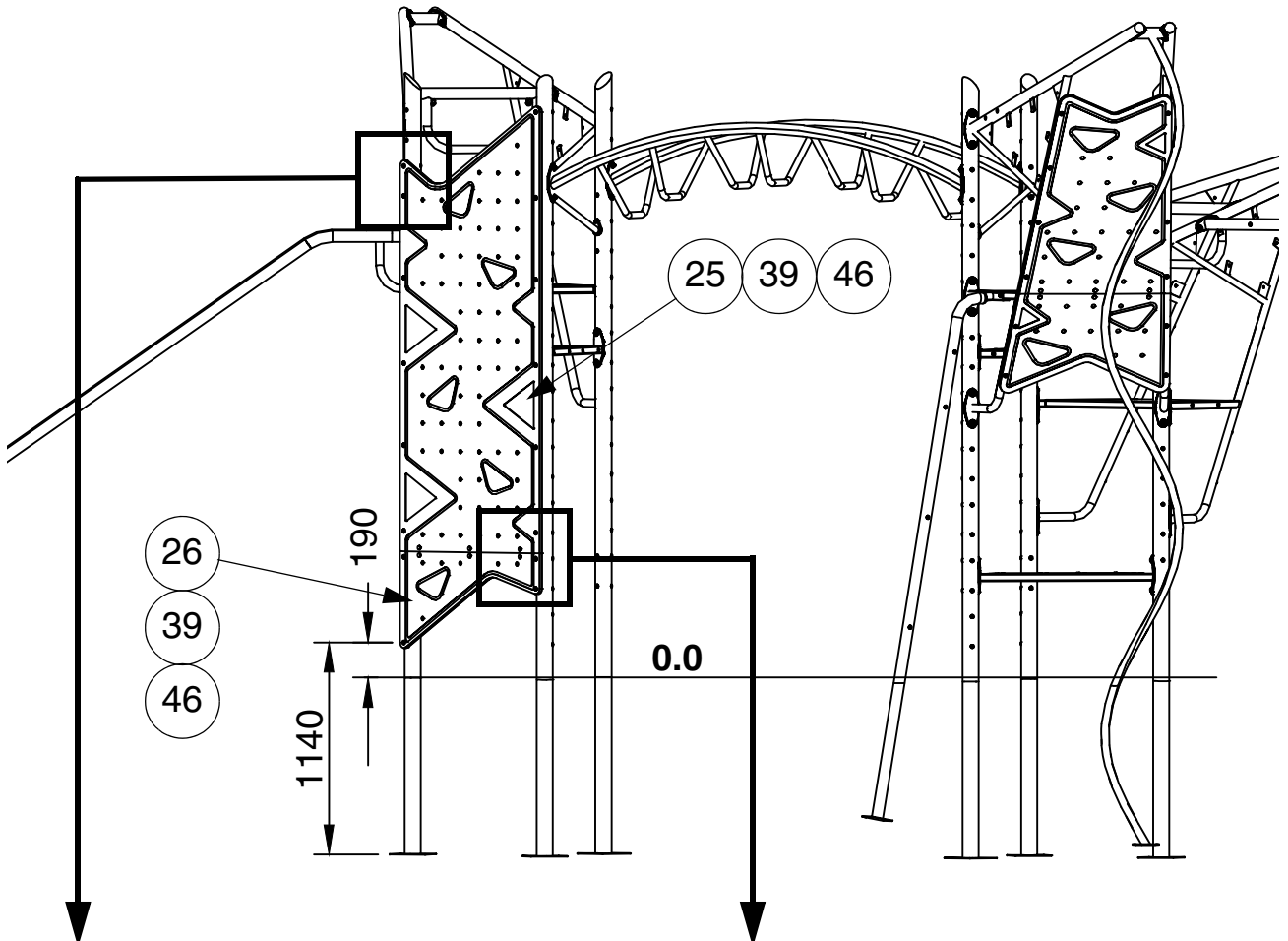




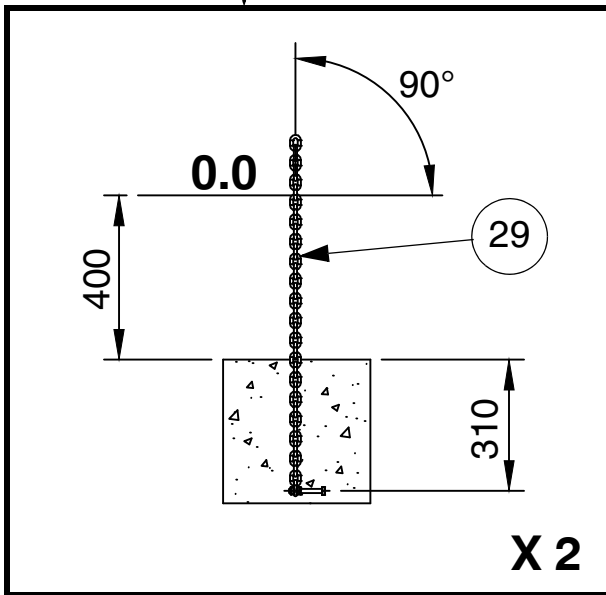
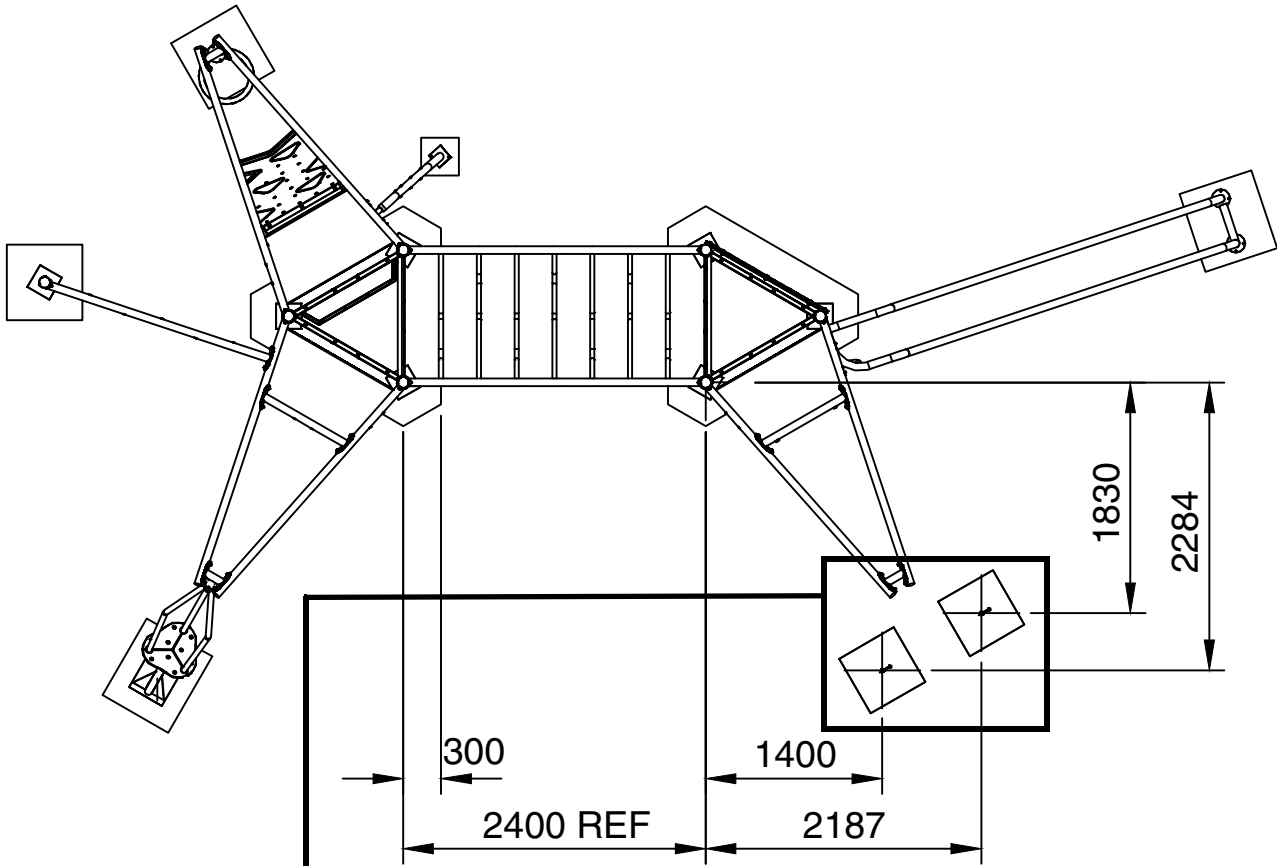
STEP 12



STEP 13



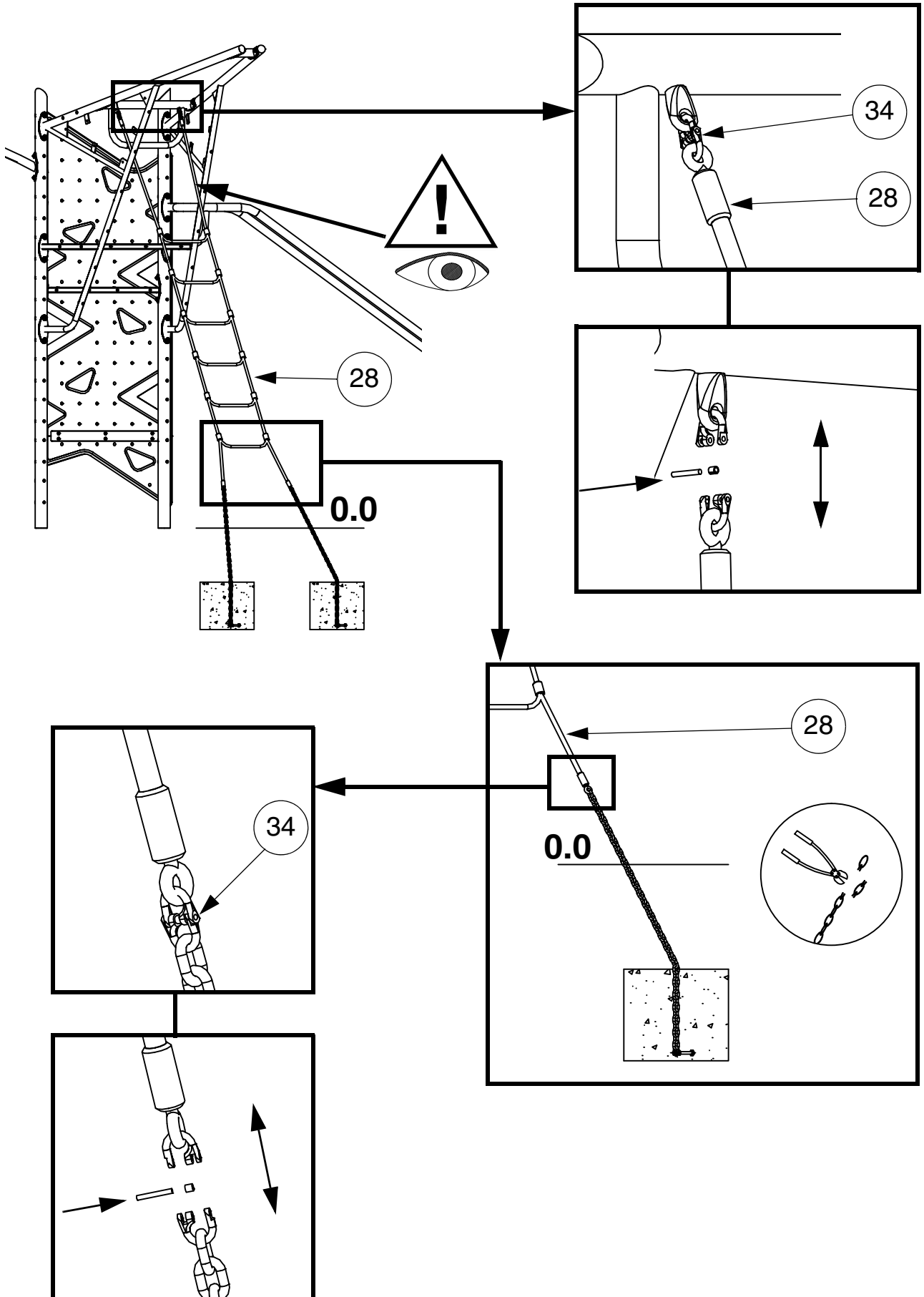
STEP 14



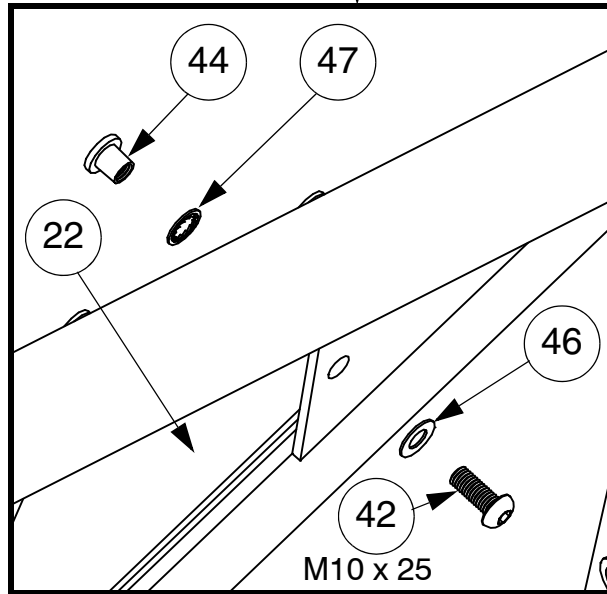
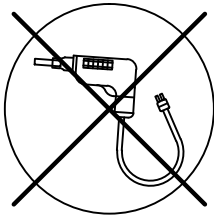
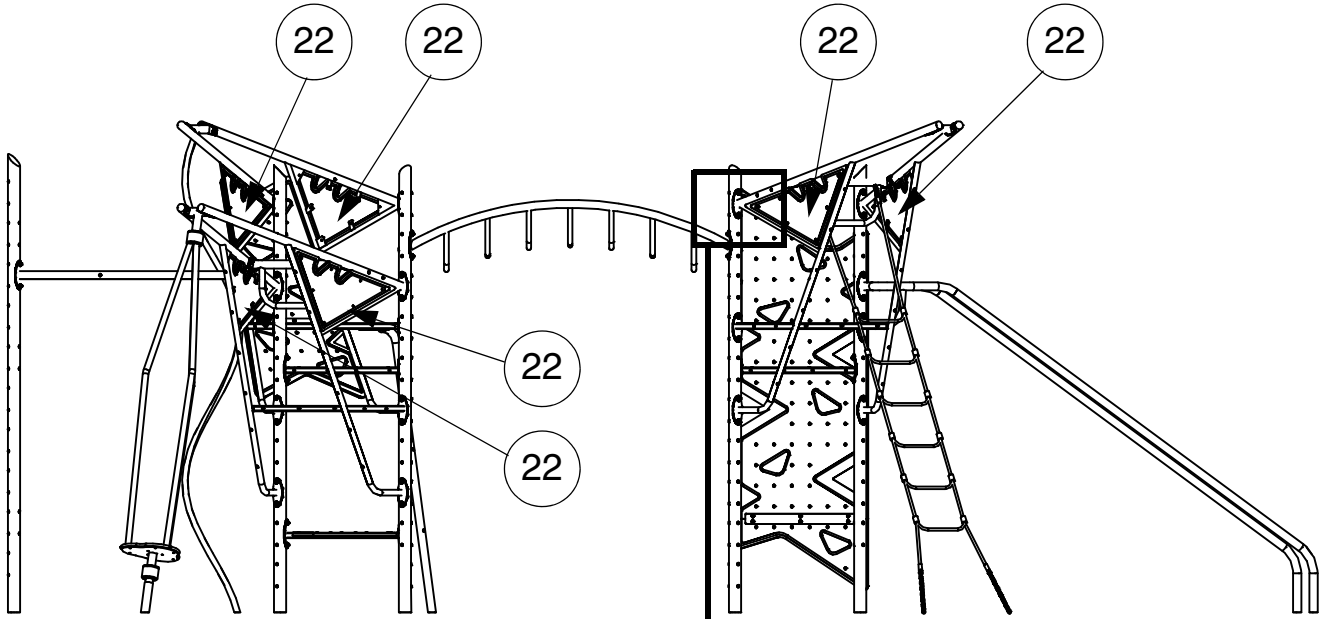
S2 (50mm)	
≥C20-25	
	7 x 24h
	101

		4 & 5
--	--	------------------

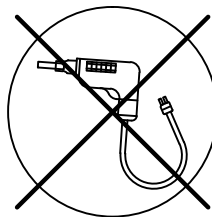
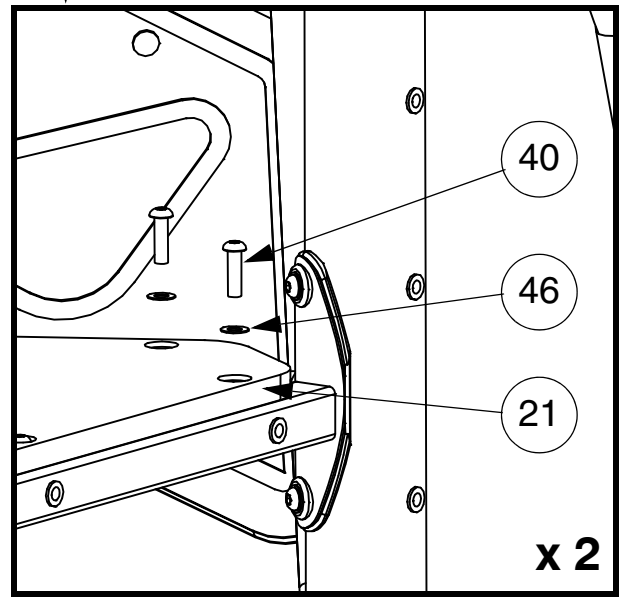
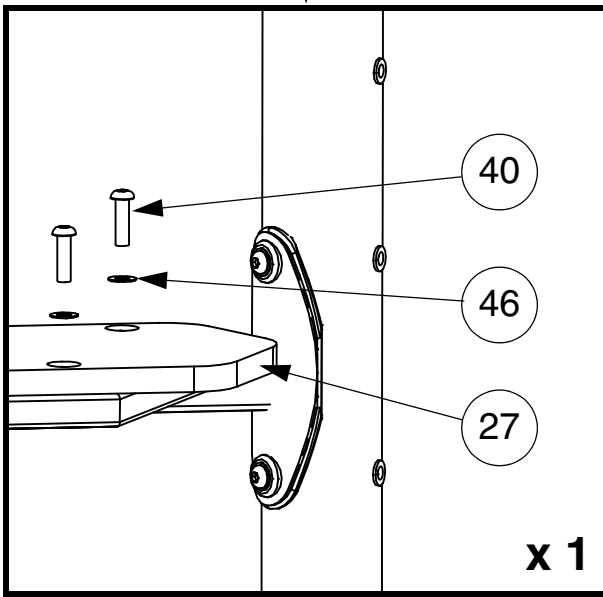
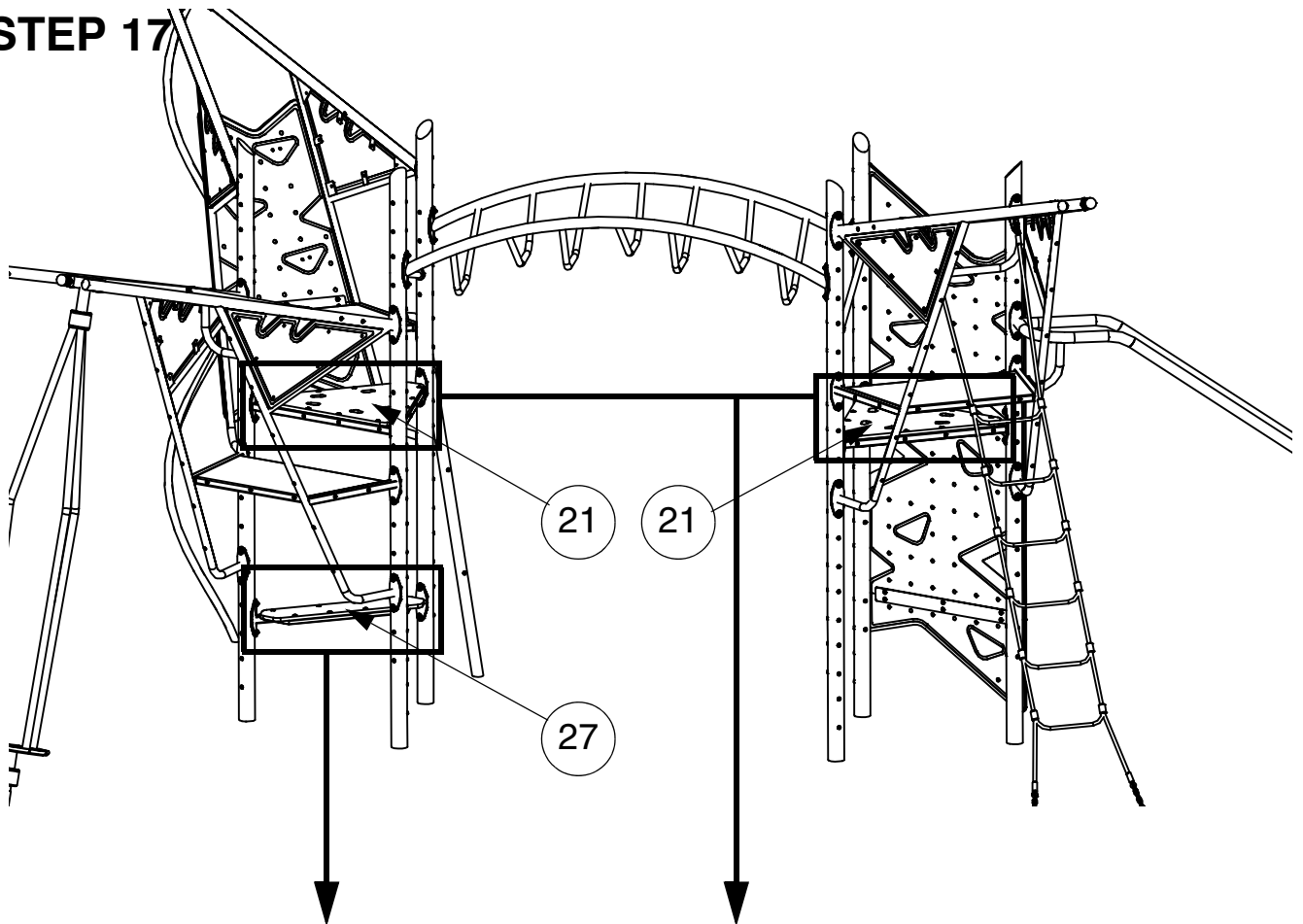
STEP 15



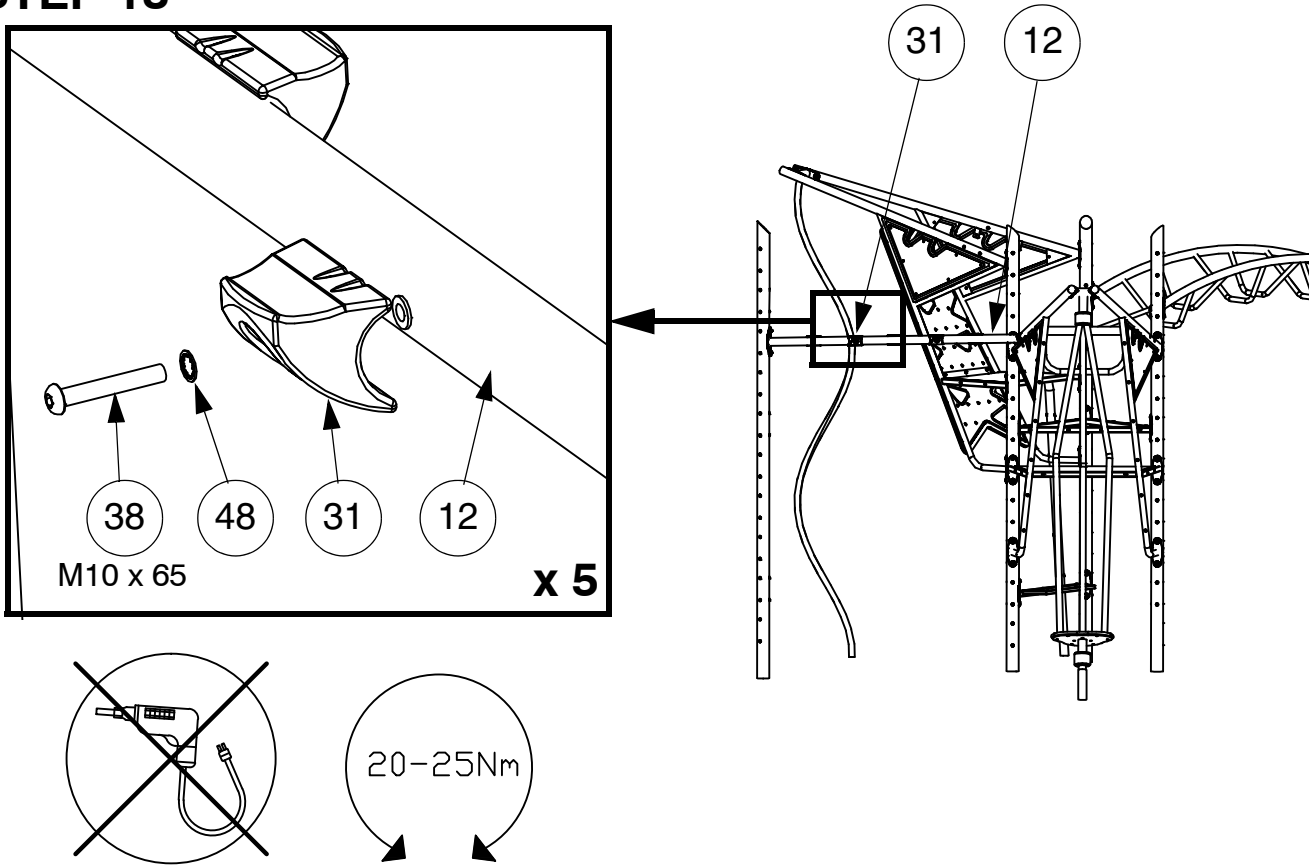
STEP 16



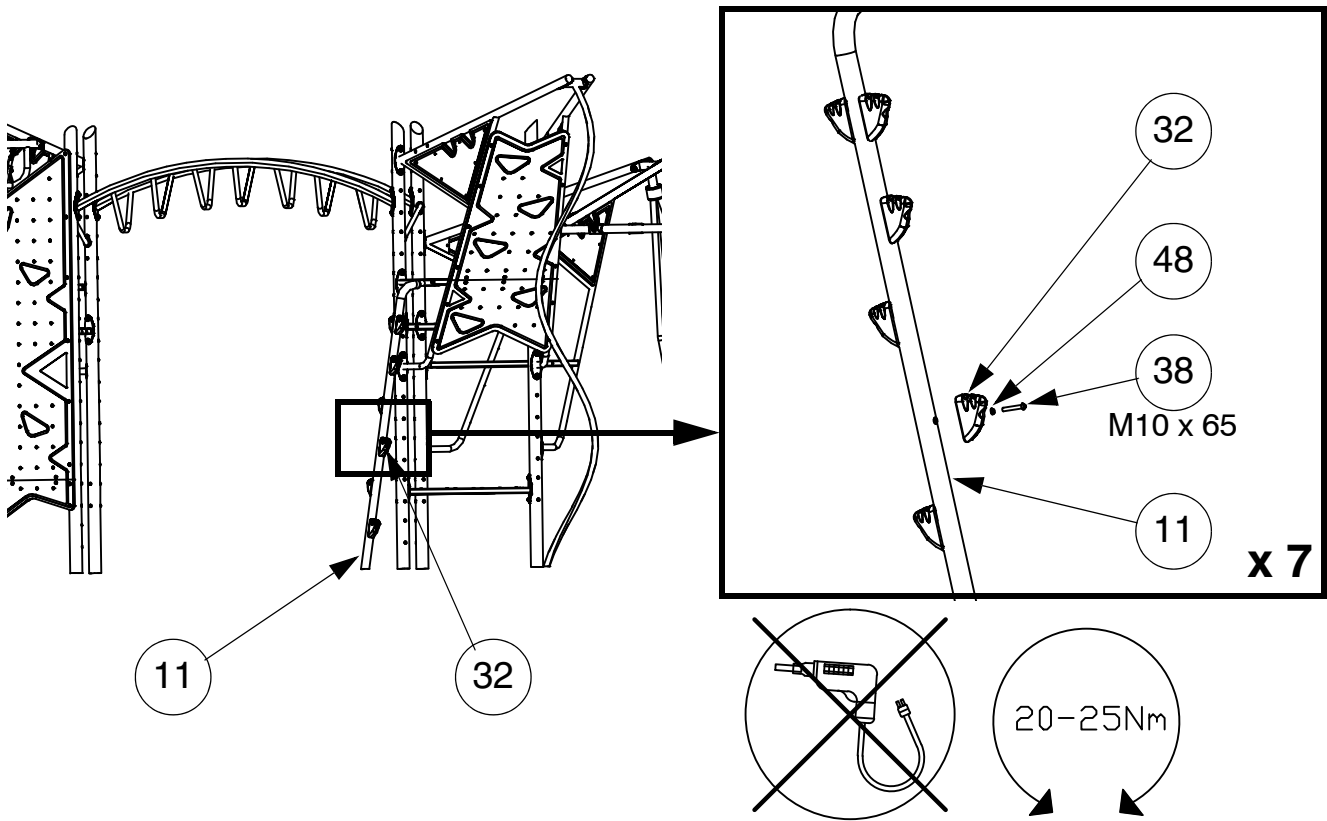
STEP 17



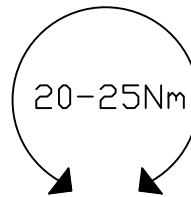
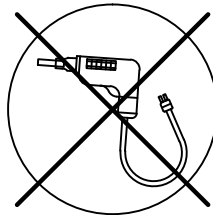
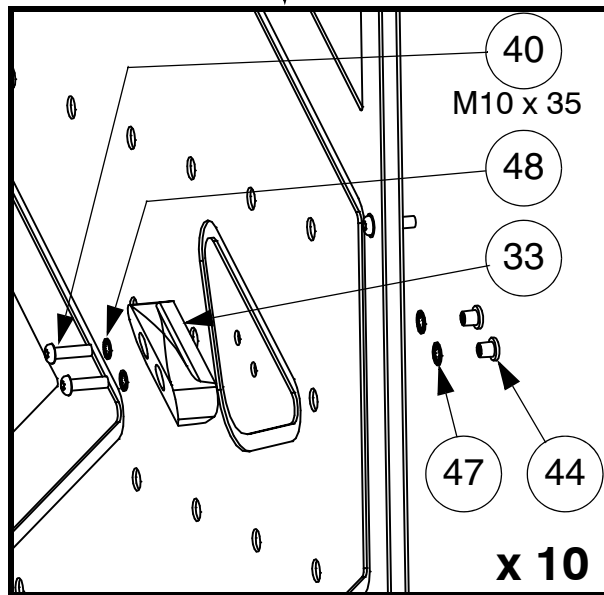
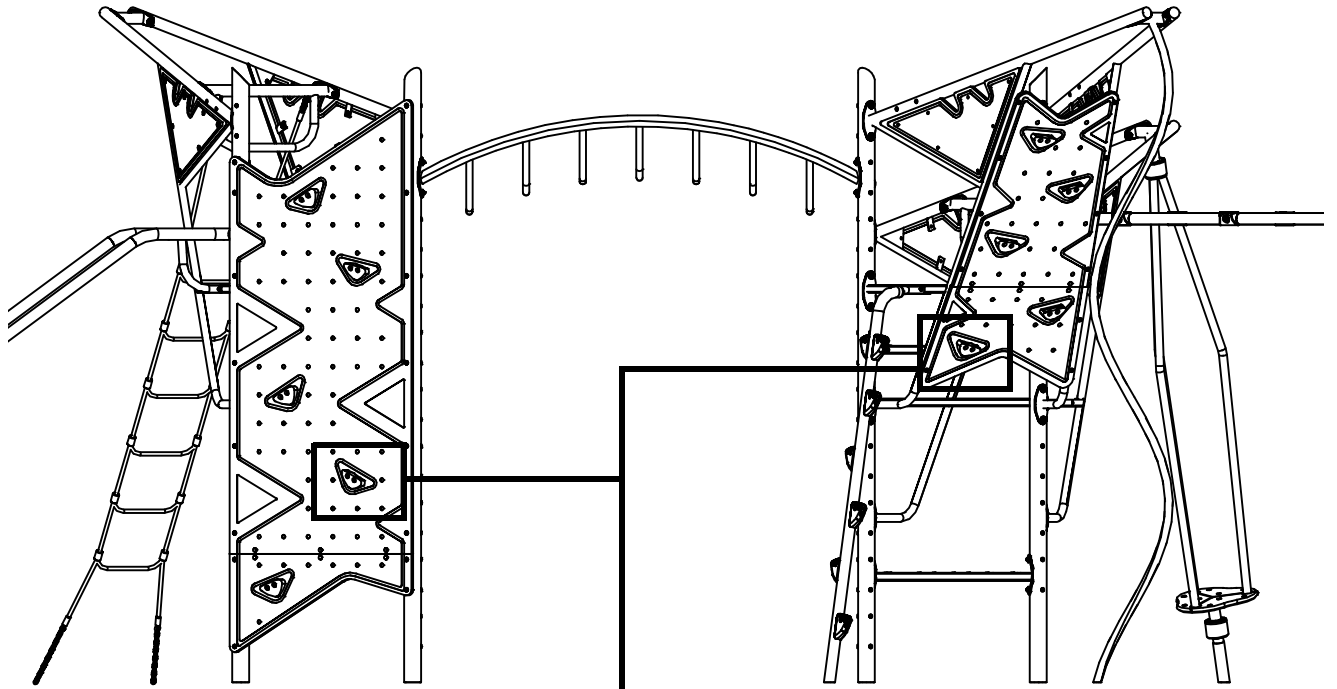
STEP 18



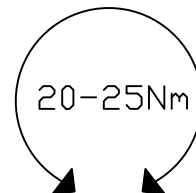
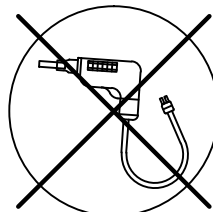
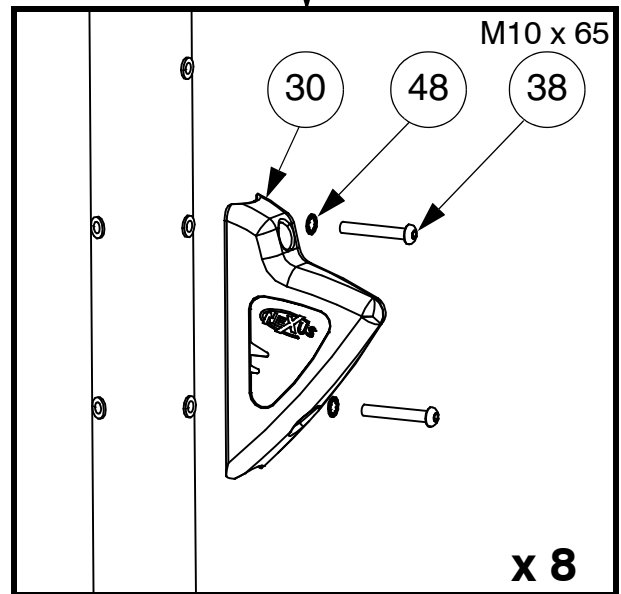
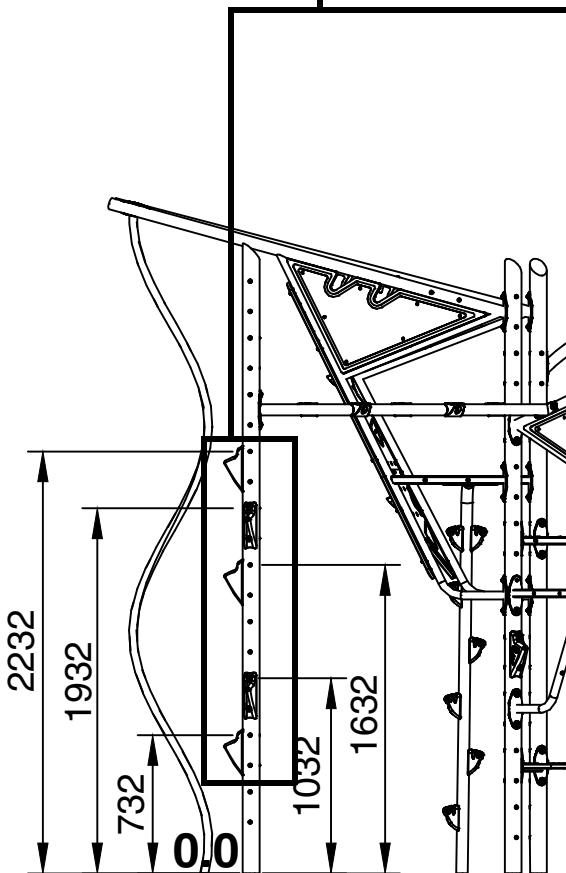
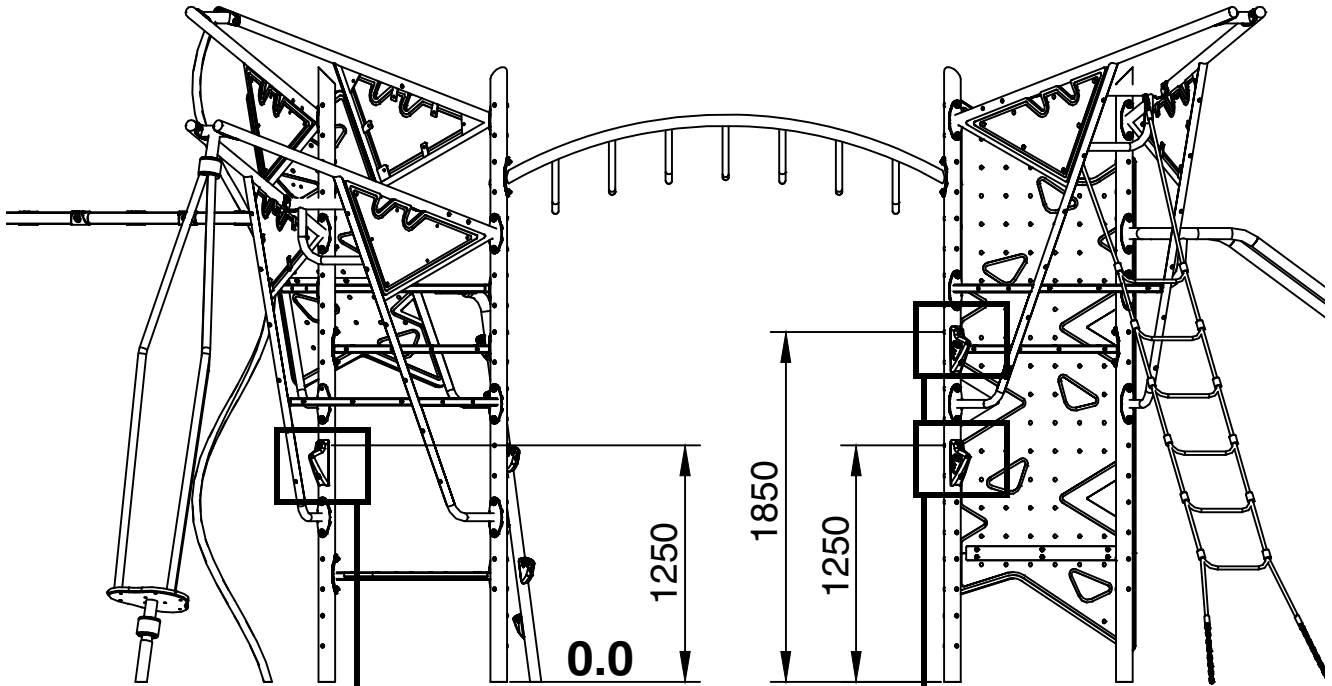
STEP 19



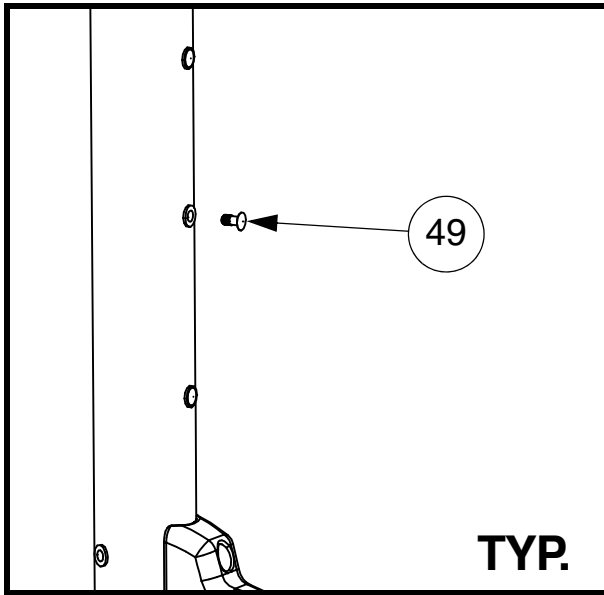
STEP 20

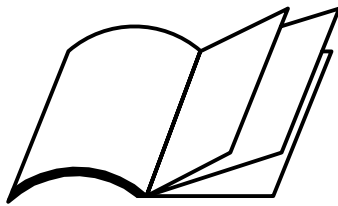


STEP 21



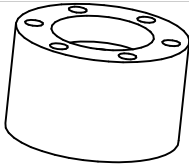
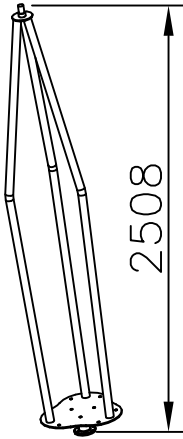
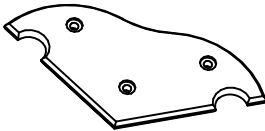
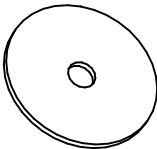
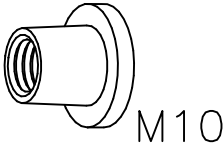
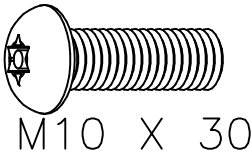
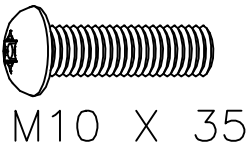
STEP 22

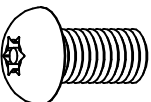
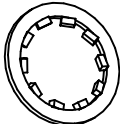
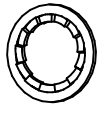


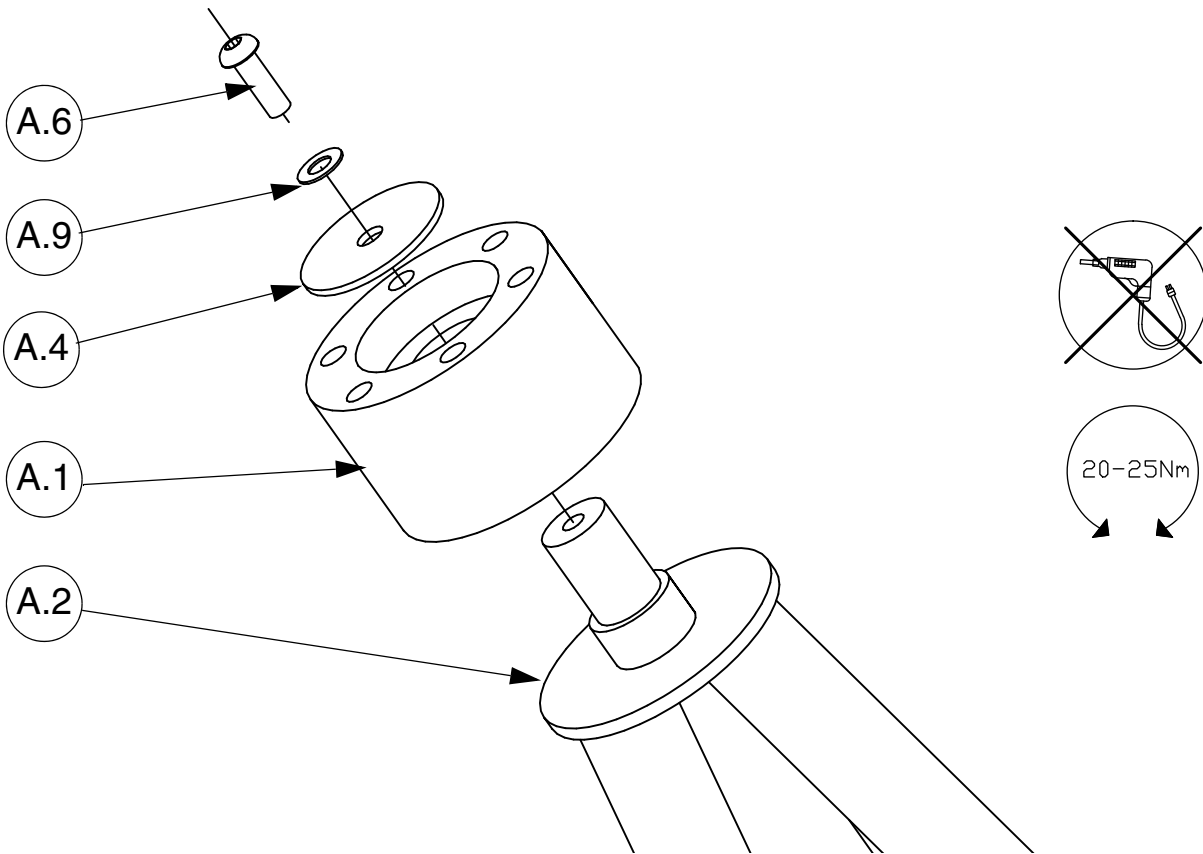


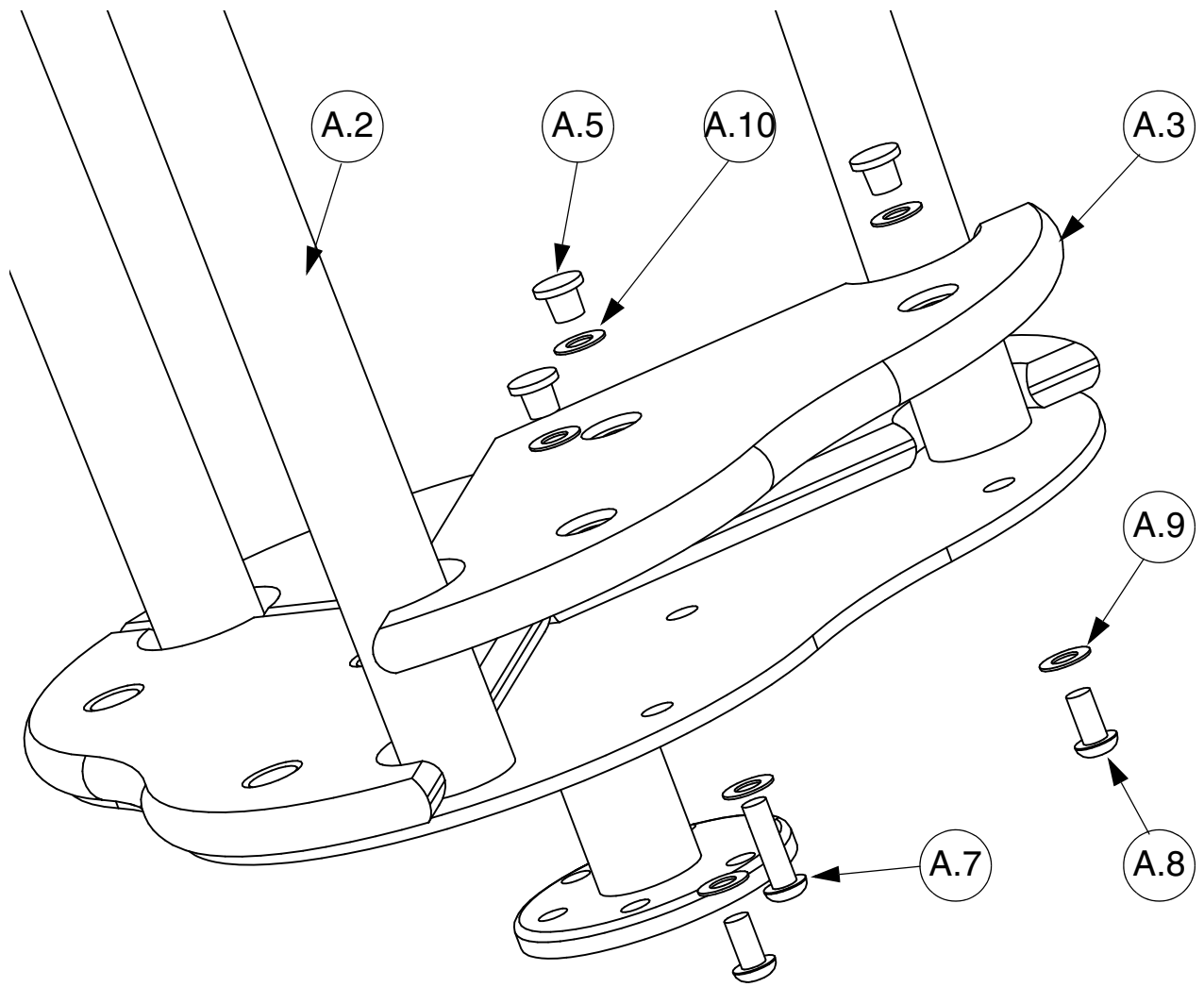
Appendix A:

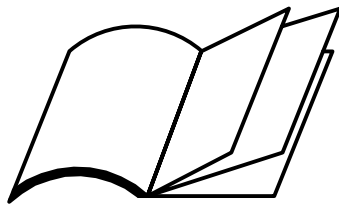
REF 38007030

ITEM	REF	38007030	QTY	kg
A.1	38007031		1	5.00
A.2	38007034		1	35.00
A.3	38007039		3	1.00
A.4	38007054		1	0.08
A.5	10931000		9	0.006
A.6	10121030		1	0.028
A.7	10121035		3	0.032

ITEM	REF	38007030	QTY	kg
A.8	10121020	 M10 X 20	6	0.020
A.9	10301000	 M10 12X18X1	10	0.002
A.10	10301200	 M12 13X20X1	9	0.002


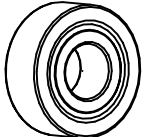
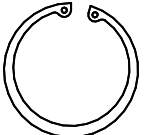


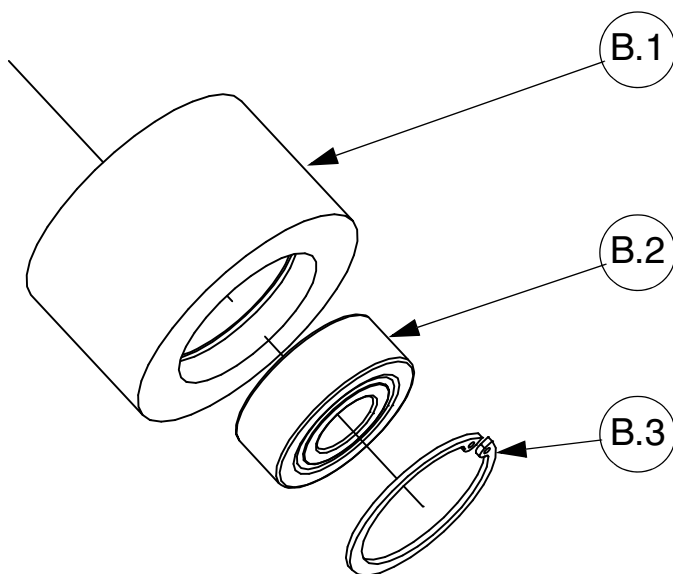


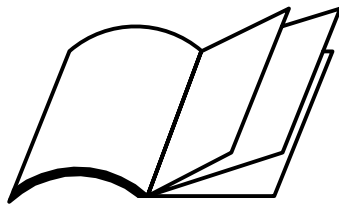


Appendix B:

REF 38007031

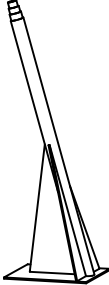
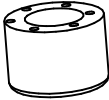
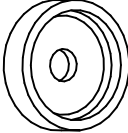
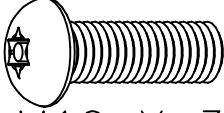
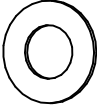
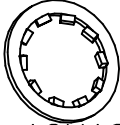
ITEM	REF	38007031	QTY	kg
B.1	38007032		1	4.50
B.2	38007033		1	0.51
B.3	10060072		1	0.001

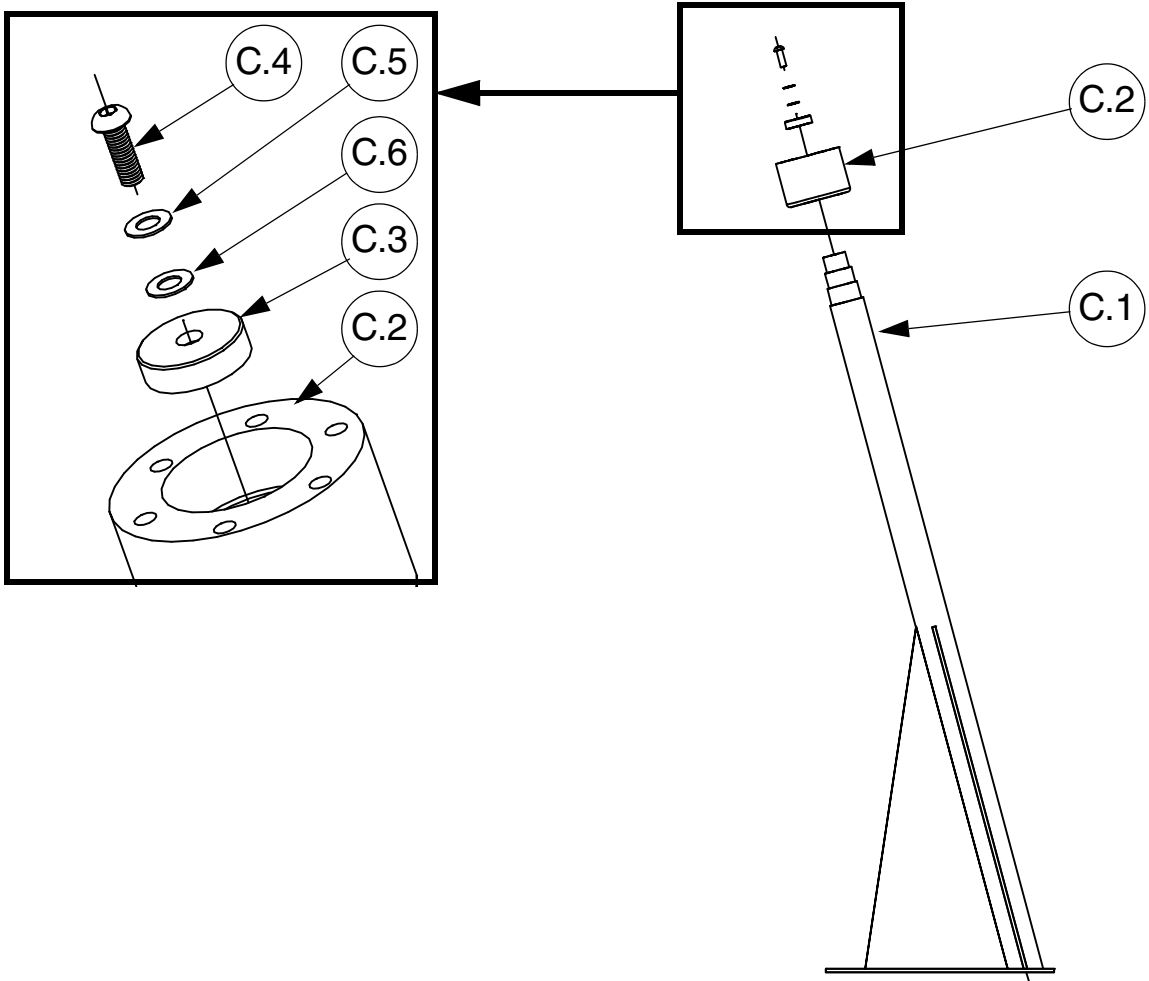




Appendix C:

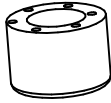



REF 38007070

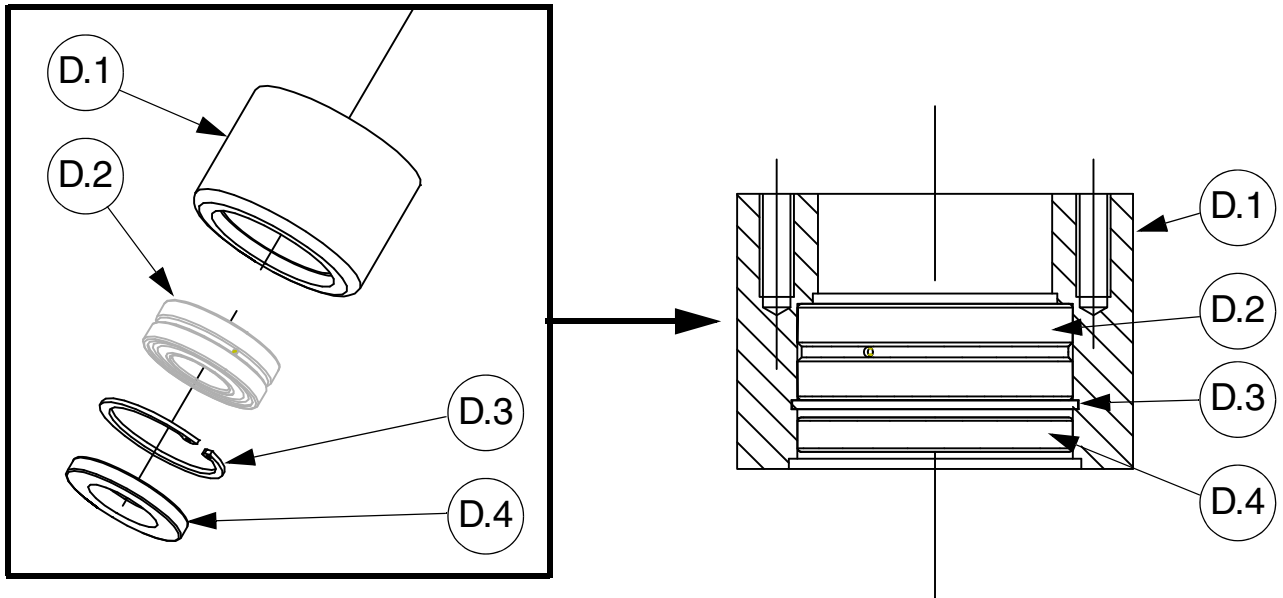
ITEM	REF	38007070	QTY	kg
C.1	38007071		1	32.00
C.2	38007074		1	7.00
C.3	38007073		1	0.10
C.4	10121030	 M10 X 30	1	0.028
C.5	10291000	 M10 11X21X1	1	0.002
C.6	10301000	 M10 12X18X1	1	0.002

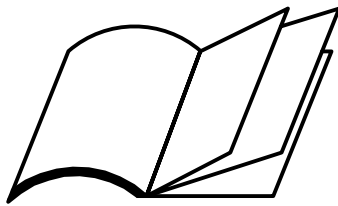


Appendix D:

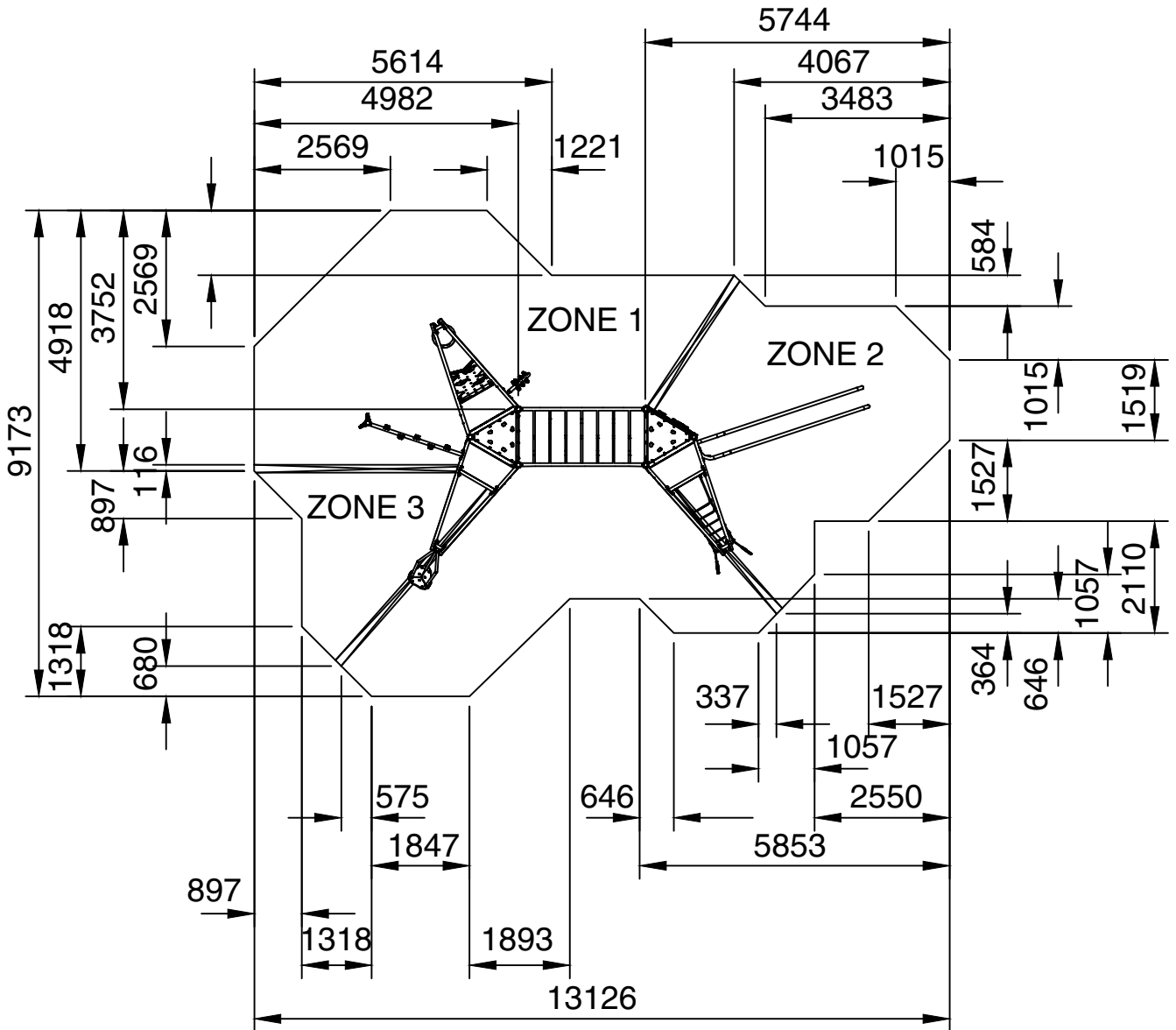
REF 38007074

ITEM	REF	38007074	QTY	kg
D.1	38007082		1	7.00
D.2	71022208		1	0.52
D.3	38007076		1	0.015
D.4	10060032		1	0.01



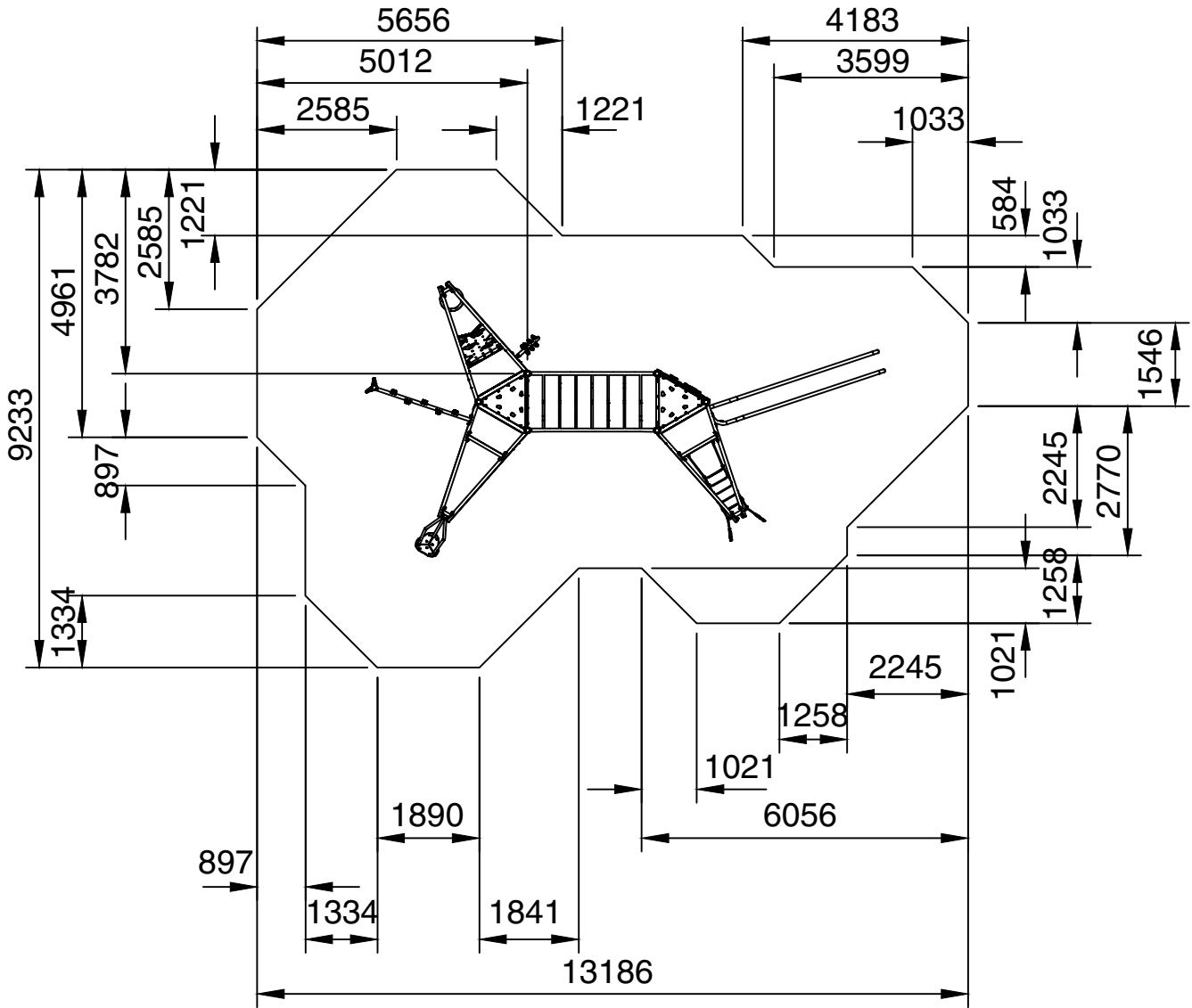


Appendix E:

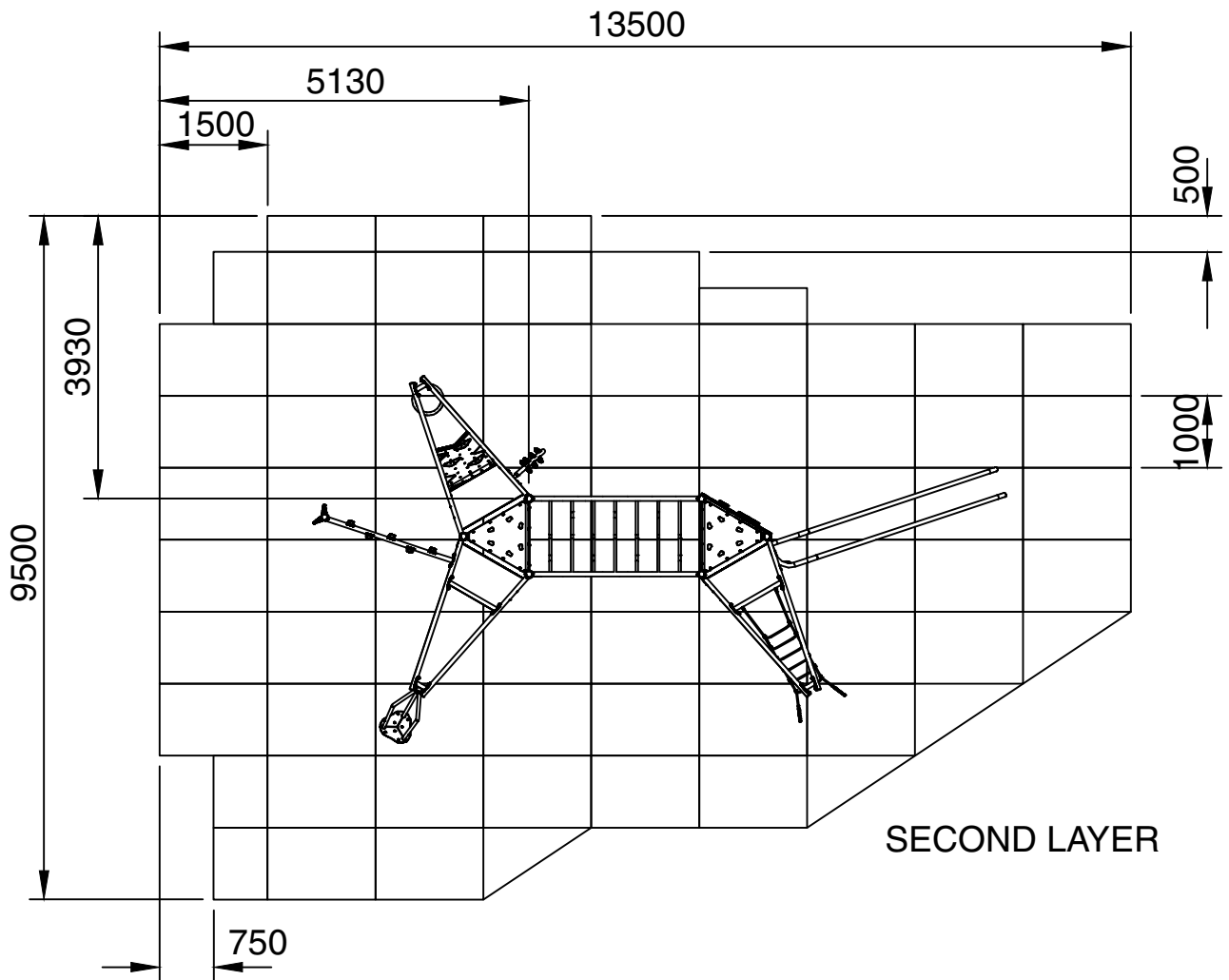
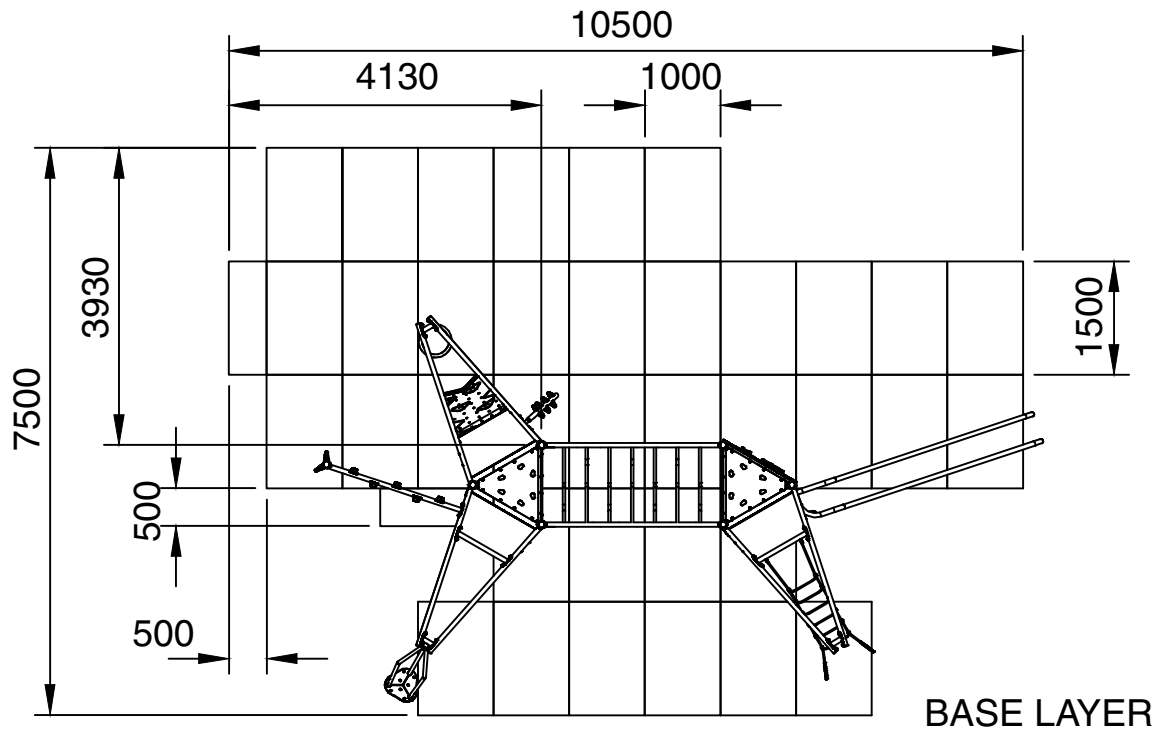


ZONE 1 FREEFALL HEIGHT = 3M
 ZONE 2 FREEFALL HEIGHT = 2.7M
 ZONE 3 FREEFALL HEIGHT = 2.5M

TYPE 3 SYNTHETIC  144



TYPE 1/2 LOOSEFILL  144



TYPE 5 GRASSMATT FR



